

MC "DOUBLE-CHANNEL"

Submersible pumps

for sewage water



PERFORMANCE RANGE

- Flow rate up to **1600 l/min** (96 m³/h)
- Head up to **25 m**

APPLICATION LIMITS

- **10 m** maximum immersion depth (with a sufficiently long power cable)
- Maximum liquid temperature **+40 °C**
- Solids passage:
 - up to **Ø 50 mm** for MC 15-20-30-40/50
 - up to **Ø 70 mm** for MC 30-40/70
- Minimum immersion depth for continuous service:
 - **390 mm** for MC 15-20-30-40/50
 - **430 mm** for MC 30-40/70

CONSTRUCTION AND SAFETY STANDARDS

- Complete with **10 m** long power cable
- Float switch for single-phase versions

EN 60034-1
IEC 60034-1
CEI 2-3



CERTIFICATIONS

COMPANY WITH MANAGEMENT SYSTEM
CERTIFIED BY DNV
ISO 9001: QUALITY
ISO 14001: ENVIRONMENT AND SAFETY



AN30



IPOMTECT-168

INSTALLATION AND USE

MC series pumps, made from heavy gauge cast iron offering exceptional sturdiness, abrasion resistance and durability, come equipped with a DOUBLE-CHANNEL impeller and are capable of pumping liquids containing short fibred suspended solids. They are ideal for pumping **sewage, waste water, water mixed with mud, groundwater and surface water** in locations such as apartment blocks, public buildings, factories, tower garages, underground car parks and cleaning areas, etc.

PATENTS - TRADE MARKS - MODELS

- Registered Community Design n° 342159-0017

OPTIONALS AVAILABLE ON REQUEST

- QES control box for three-phase pumps
- Single-phase pumps without float switch
- Other voltages or 60 Hz frequency

GUARANTEE

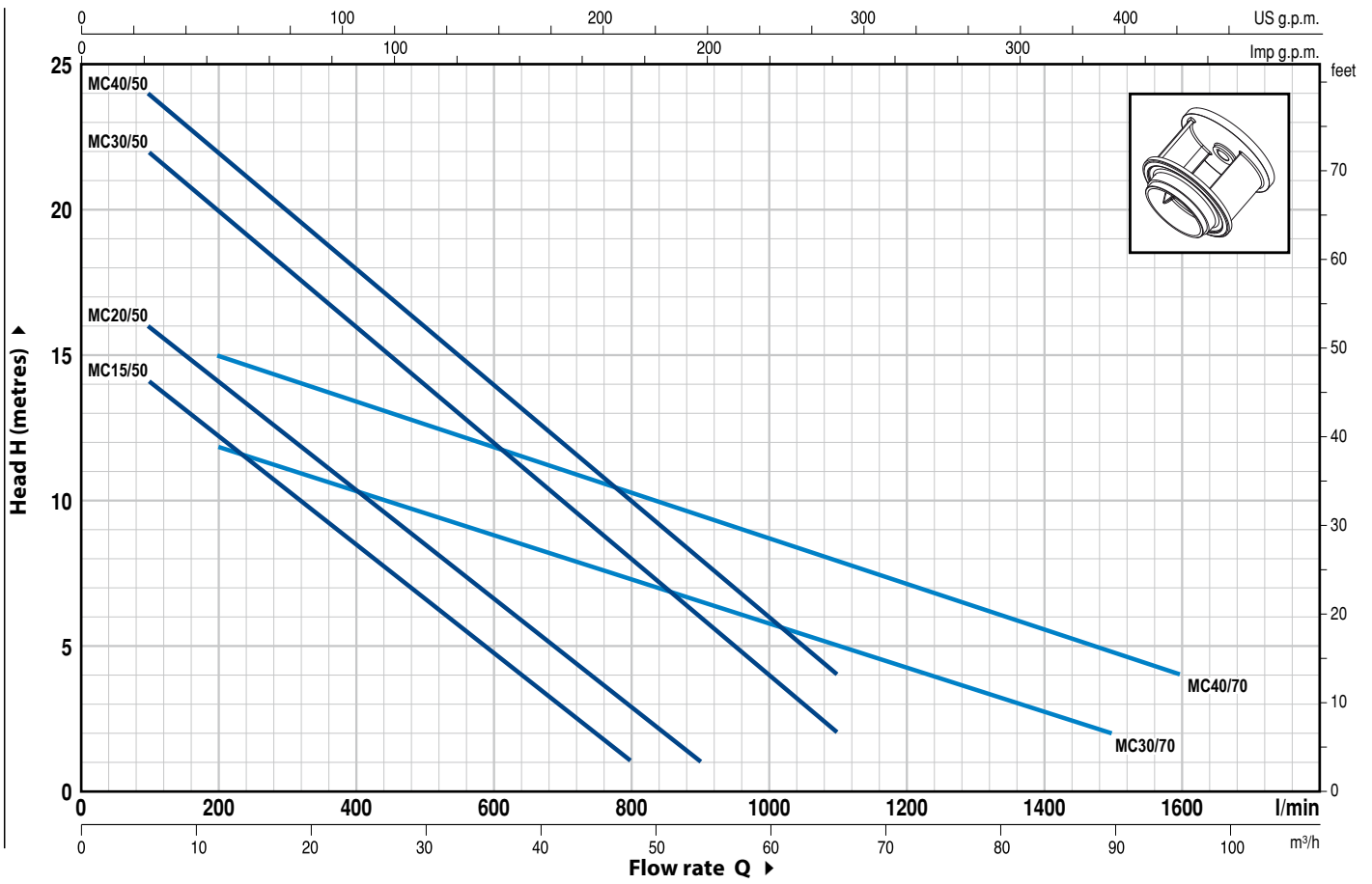
2 years subject to terms and conditions

For the following versions the built-in thermal overload protector must be connected to the control box in order for the guarantee to be considered valid:

- | | |
|--------------------|------------------------------------|
| single-phase | three-phase |
| – MCm 30/50 - HP 3 | – MC 15-20-30-40/50 - HP 1.5-2-3-4 |
| – MCm 30/70 - HP 3 | – MC 30-40/70 - HP 3-4 |

CHARACTERISTIC CURVES AND PERFORMANCE DATA

50 Hz n= 2900 1/min



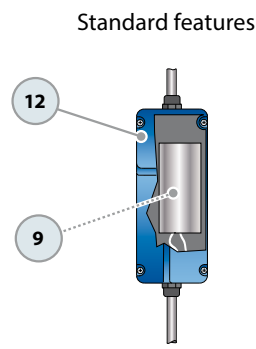
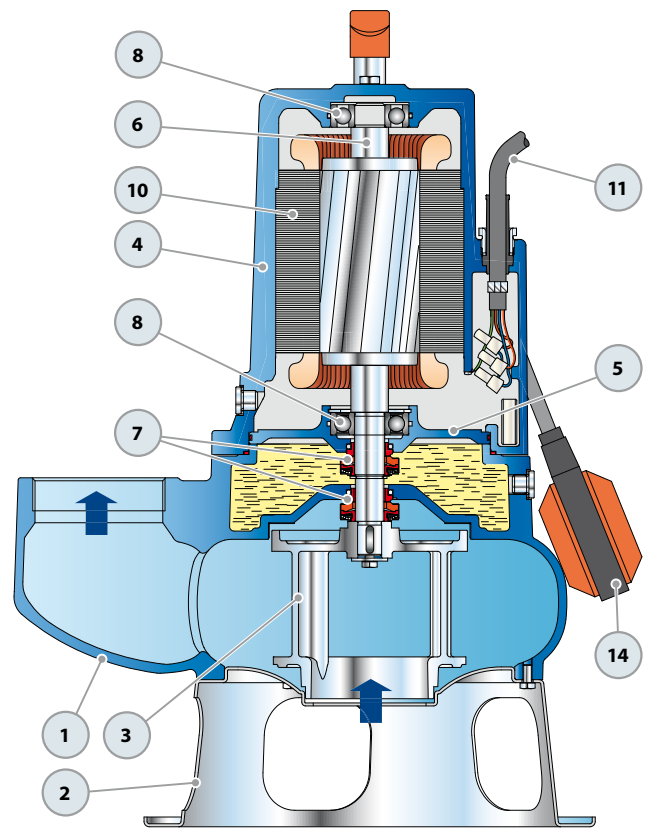
MODEL		POWER		Q	Flow rate																
Single-phase	Three-phase	kW	HP		m ³ /h	0	6	12	18	24	30	36	42	48	54	60	66	72	84	96	
MCm 15/50	MC 15/50	1.1	1.5	H metres	0	100	200	300	400	500	600	700	800	900	1000	1100	1200	1400	1600		
MCm 20/50	MC 20/50	1.5	2		16	14	12.5	10.5	8.5	6.5	4.5	3	1								
MCm 30/50	MC 30/50	2.2	3		18	16	14	12.5	10.5	8.5	6.5	5	3	1							
-	MC 40/50	3	4		24	22	20	18	16	14	12	10	8	6	4	2					
MCm 30/70	MC 30/70	2.2	3		25	24	22	20	18	16	14	12	10	8	6	4					
-	MC 40/70	3	4		13	-	12	11	10.5	9.5	8.5	8	7.5	6.5	6	5	4.5	3	2		
					17	-	15	14	13.5	12.5	12	11	10.5	9.5	8.5	8	7	5.5	4		

Q = Flow rate H = Total manometric head

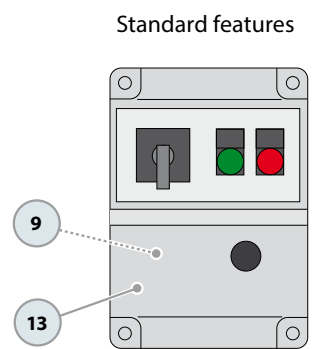
Tolerance of characteristic curves in compliance with EN ISO 9906 Grade 3.

MC "DOUBLE-CHANNEL"

POS.	COMPONENT	CONSTRUCTION CHARACTERISTICS				
1	PUMP BODY	Cast iron, with threaded port in compliance with ISO 228/1				
2	BASE	Stainless steel AISI 304				
3	IMPELLER	Stainless steel AISI 304 DOUBLE-CHANNEL type				
4	MOTOR CASING	Cast iron				
5	MOTOR CASING PLATE	Cast iron				
6	MOTOR SHAFT	Stainless steel AISI 431				
7	TWO MECHANICAL SEALS SEPARATED BY AN OIL CHAMBER					
	<i>Seal</i>	<i>Shaft</i>	<i>Position</i>	<i>Stationary ring</i>	<i>Rotational ring</i>	<i>Materials</i>
	<i>Model</i>	<i>Diameter</i>				<i>Elastomer</i>
	STA-20	Ø 20 mm	Motor side	Ceramic	Graphite	NBR
	STA-19	Ø 19 mm	Pump side	Silicon carbide	Silicon carbide	NBR
8	BEARINGS	6304 ZZ - C3 / 6304 ZZ - C3				
9	CAPACITOR					
	<i>Pump</i>	<i>Capacitance</i>				
	<i>Single-phase</i>	<i>(230 V or 240 V)</i>				
	MCm 15/50	31.5 µF 450 VL				
	MCm 20/50	50 µF 450 VL				
	MCm 30/50	60 µF 450 VL				
	MCm 30/70	60 µF 450 VL				
10	ELECTRIC MOTOR					
	MCm 15-20: single-phase 230 V - 50 Hz with thermal overload protector built-in to the winding					
	⇒ MCm 30: single-phase 230 V - 50 Hz with thermal overload protector built-in to the winding to be connected to the control box					
	⇒ MC: three-phase 400 V - 50 Hz. with thermal overload protector built-in to the winding to be connected to the control box					
	– Insulation: F class					
	– Protection: IP X8					
11	POWER CABLE					
	10 metre long "H07 RN-F" cable					
12	CONTROL BOX for MCm 15-20					
	(only for single-phase versions)					
	Complete with capacitor and manual reset motor protector					
13	CONTROL BOX for MCm 30					
	(only for single-phase versions)					
	QES 300 MONO series					
14	FLOAT SWITCH					
	(only for single-phase versions)					

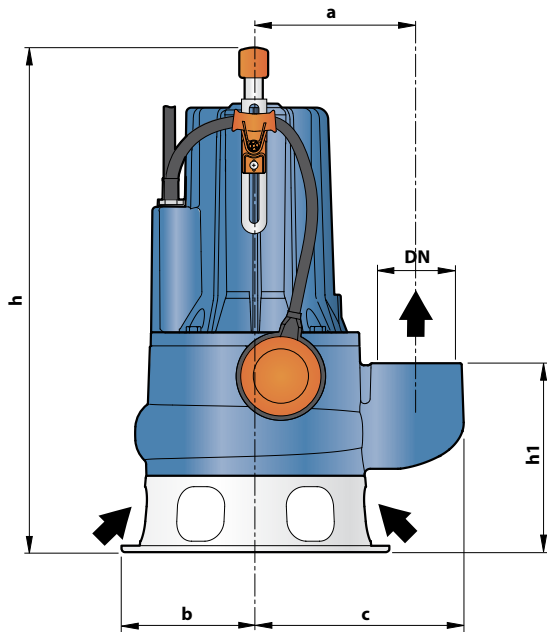


Control box for MCm 15-20 (only for single-phase versions)

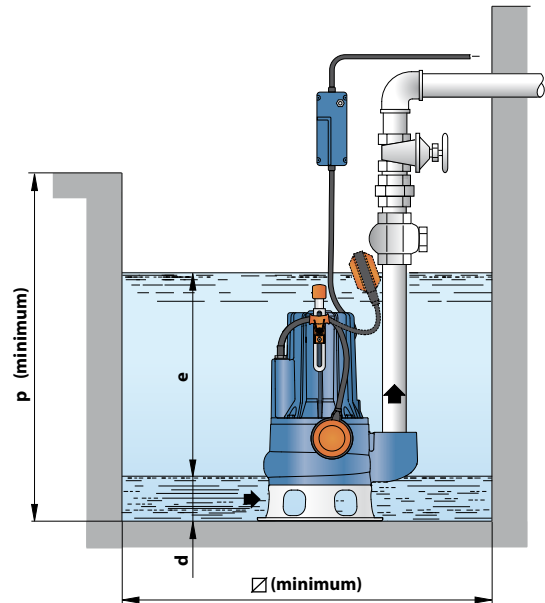


Control box for MCm 30 (only for single-phase versions)

DIMENSIONS AND WEIGHT



Typical installation



MODEL		PORT DN	solids passage	DIMENSIONS mm									kg	
Single-phase	Three-phase			a	b	c	h	h1	d	e	p	Ø	1~	3~
MCm 15/50	MC 15/50	2½"	Ø 50 mm	162	135	210	509	191	75	variable	800	800	36.7	35.4
MCm 20/50	MC 20/50						522/509						37.7	36.4
MCm 30/50	MC 30/50						522						41.9	38.6
-	MC 40/50												-	42.2
MCm 30/70	MC 30/70	3"	Ø 70 mm	180	150	237	562/548	233	85				45.0	41.7
-	MC 40/70						562						-	45.3

ABSORPTION

MODEL	VOLTAGE (single-phase)	
	230 V	240 V
Single-phase	230 V	240 V
MCm 15/50	9.0 A	9.0 A
MCm 20/50	10.5 A	10.5 A
MCm 30/50	15.2 A	15.2 A
MCm 30/70	15.2 A	15.2 A

MODEL	VOLTAGE (three-phase)					
	230 V	400 V	690 V	240 V	415 V	720 V
Three-phase	230 V	400 V	690 V	240 V	415 V	720 V
MC 15/50	5.5 A	3.2 A	1.8 A	5.5 A	3.2 A	1.8 A
MC 20/50	7.4 A	4.3 A	2.5 A	7.4 A	4.3 A	2.5 A
MC 30/50	9.9 A	5.7 A	3.3 A	9.9 A	5.7 A	3.3 A
MC 40/50	13.5 A	7.8 A	4.5 A	13.5 A	7.8 A	4.5 A
MC 30/70	10.2 A	5.9 A	3.4 A	10.2 A	5.9 A	3.4 A
MC 40/70	13.5 A	7.8 A	4.5 A	13.5 A	7.8 A	4.5 A

PALLETIZATION

MODEL		GROUPAGE / CONTAINER			
Single-phase	Three-phase	n° pumps	H (mm)	kg	
				1~	3~
MCm 15/50	MC 15/50	24	1751	899	867
MCm 20/50	MC 20/50	24	1751	923	891
MCm 30/50	MC 30/50	24	1751	1023	944
-	MC 40/50	24	1751	-	1031
MCm 30/70	MC 30/70	12	1304	557	517
-	MC 40/70	12	1304	-	561

