

modulo

The first modular tool-case program

Universal usage of the tool-tray as case-bottom or case-cover. The individual trays fit perfectly in workshop trucks and work table-drawers. They can be converted in carrying cases anytime.

El primer programa modular de maletines de herramientas

Uso universal de las bandejas de herramientas como fondo o tapa del maletín. Las bandejas individuales encajan perfectamente tanto en los armarios de trabajo como en los carros de taller. También pueden convertirse en maletines portátiles, en cualquier momento.



O primeiro programa de malas de ferramenta modulares

Uso universal dos módulos de ferramentas como fundo ou tampa das malas. As bandejas individuais encaixam perfeitamente tanto nas bancadas de trabalho das oficinas como dentro das gavetas. Também podem se converter em malas de ferramentas portáteis em qualquer momento.



Non-slip rubber naps
Bornes caucho antideslizantes
Pontos anti-derrapante



Lips for dust protection
Protección contra polvo
Protecção contra poeiras



Solid rubber coated lashes
Pestañas recubiertas caucho
Cobertura de borracha



Comfortable bi-material handle
Mango bimaterial comfortable
Punhos bimaterial confortáveis



Stick-connection for quick cover exchange
Pasadores para montaje - desmontaje rápido
Ligações rápidas para montagem e desmontagem



Stationary use, fitting in tool-cabinet
Adaptado para carros taller
Adaptado para carros de oficina



Series **6002**

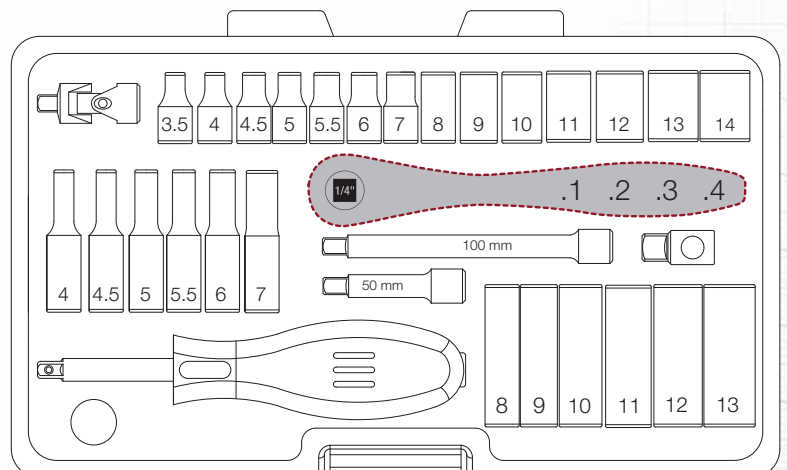
modulo



↕ 270 x 160 x 60 mm

Socket wrench case
Estuche de llaves de vaso
 Mala de chaves de caixa

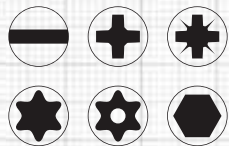
Art.	
6002.0	without ratchet handle <i>sín carraca</i> <i>sem roquete</i>
6002.1	 Art. 3200B
6002.2	 Art. 4009B
6002.3	 Art. 4000B
6002.4	 Art. 3206B



Series **6001**

modulo

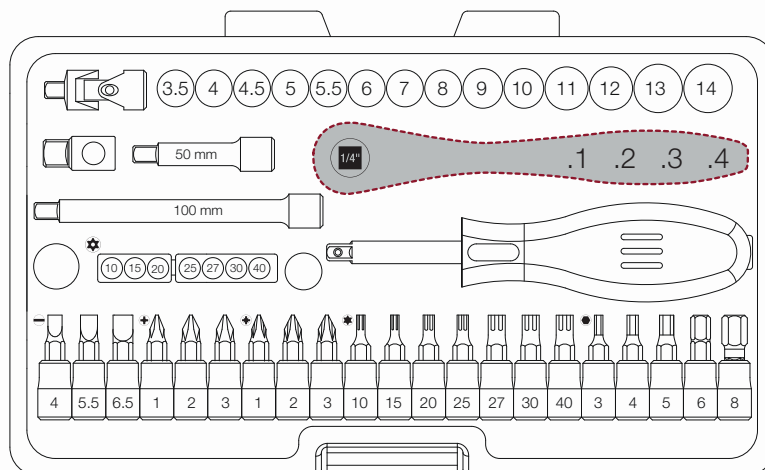
1/4" 50 PCS



↕ 270 x 160 x 60 mm

Socket wrench case
Estuche de llaves de vaso
Mala de chaves de caixa



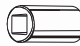








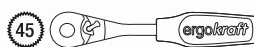













Art.	
6001.0	without ratchet handle <i>sín carraca</i> <i>sem roquete</i>
6001.1	 Art. 3200B
6001.2	 Art. 4009B
6001.3	 Art. 4000B
6001.4	 Art. 3206B





The classic of KRAFTWERK
Socket wrench case

El clásico de KRAFTWERK
Juego de llaves de vaso

O clássico da KRAFTWERK
Jogo de chaves de caixa

-   14 3.5-4-4.5-5-5.5-6-7-8-9-10-11-12-13-14 mm
-   1/4"  1/4"
-   1/4"  1/4"
-  100 mm
-   1/4"
-   Art. 3200
-    2  5.5-6.5 mm
-  2  PH 1-2
-  2  PZ 1-2
-  6  T10-T15-T20-T25-T30-T40
-  5  3-4-5-6-8 mm

Art.		
3005	1/4"	1/4"



194 x 133 x 35 mm

ABS

The most compact 1/4" drive set of the world!
All-purpose socket wrench set








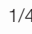








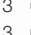






with 72 fine teeth ratchet handle with special small and flat head
in solid mini-ABS-case.



El juego de 1/4" más compacto del mundo!
Juego de llaves de vaso multiuso

con carraca 72 dientes en mini estuche sólido en ABS.

O jogo de 1/4" mais completo do mundo!
Jogo de chaves de caixa multiuso

com roquete de 72 dentes finos, cabeça compacta numa caixa
de ABS sólida.

-   14 3.5-4-4.5-5-5.5-6-7-8-9-10-11-12-13-14 mm
-   1/4"  1/4"
-   1/4"  1/4"
-  50 mm
-   Art. 4009
-    3  4-4.5-5.5 mm
-  3  PH 1-2-3
-  3  PZ 1-2-3
-  8  T8-T10-T15-T20-T25-T27-T30-T40
-  5  3-4-5-6-8 mm

Art.		
4033	1/4"	1/4"



EXTREME



163 x 80 x 35 mm

ABS

Socket wrench case

with micro ratchet handle

Juego de llaves de vaso

con carraca micro

Jogo de chaves de caixa

com roquete micro

1/4" 1/4" 32 PCS

1/4" 12 4-4.5-5-5.5-6-7-8
9-10-11-12-13 mm

1/4" 1/4" 1/4"

75 mm

60 Art. 3201B, L=107 mm

1/4" 2 4.5-5.5 mm
2 PH 1-2
2 PZ 1-2
6 T10-T15-T20-T25-T30-T40
4 3-4-5-6 mm

NEW
NUEVO
NOVO



129 x 72 x 35 mm

ABS

Art.	1/4"	1/4"
4006	1/4"	1/4"



Socket wrench case

Estuche de llaves de vaso

Mala de chaves de caixa

1/4" 1/4" 66 PCS

1/4" 14 3.5-4-4.5-5-5.5-6-7-8-9-
10-11-12-13-14 mm

12 4-4.5-5-5.5-6-7-8-9-10-
11-12-13 mm

3 4-5-5-6.5 mm
3 PH 1-2-3
3 PZ 1-2-3
8 T8-T10-T15-T20-T25-T27-T30-T40
6 3-4-5-6-7-8 mm

1/4" 1/4" 1/4"

1/4" 1/4" 1/4"

2 50 mm / 100 mm

150 mm

115 mm

1/4"

45 Art. 3200

1/4" 7 T10-T15-T20-T25-T27-T30-T40

1/4" 1/4"

1/4" 1/4"

421 x 200 x 68 mm

COMPLETO



Art.	1/4"	1/4"
4900-01K	1/4"	1/4"

Socket wrench set

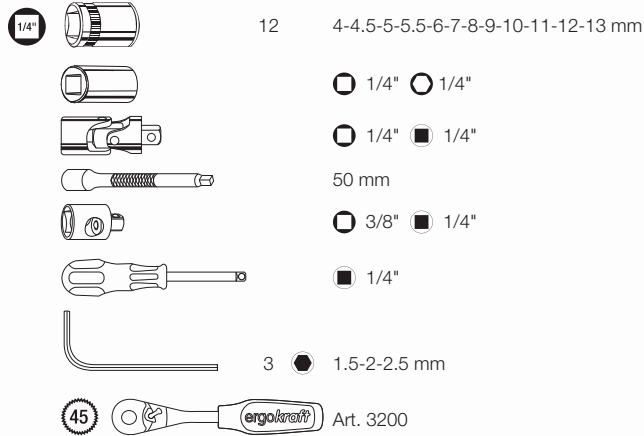
in solid metal case

Juego de llaves de vaso

en estuche sólido metálico

Jogo de chaves de caixa

em caixa metálica



Art.	□	●
2003	1/4"	1/4"



metallic



245 x 130 x 40 mm



COMBI socket wrench set

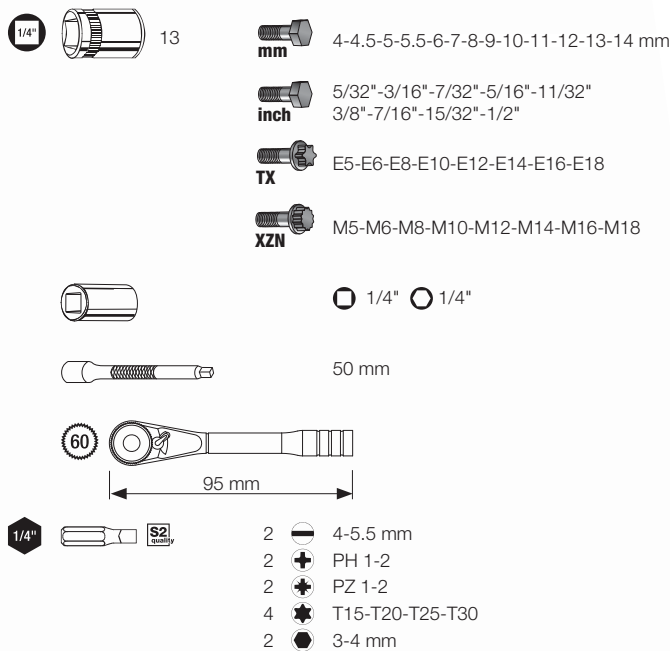
in solid 2-component box

Juego de llaves de vaso COMBI

en caja sólida bi-material

Jogo de chaves de caixa COMBI

em caixa sólida de 2 componentes



Art.	□	●
4004	1/4"	1/4"



COMBI



165 x 85 x 35 mm

ABS

ALL IN 1

DUAL BOX



Video

KRAFTWERKtools.com/video/combi

COMBI socket wrench set

with finger ratchet handle

Juego de llaves de vaso COMBI

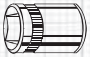




con pomo con carraca

Jogo de chaves de caixa COMBI

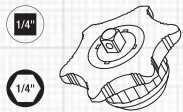
com roquete de uma mão

1/4" 1/4" 24 PCS



COMBI

- 1/4"  6  4-5-6-8-10-13 mm
-  5/32"-3/16"-5/16"-3/8"-1/2"
-  E5-E8-E10-E12
-  M5-M6-M8-M10-M12-M16

 75 mm



- 1/4"  2  5.5-6.5 mm
- 1/4"  2  PH 1-2
- 1/4"  2  PZ 1-2
- 1/4"  6  T10-T15-T20-T25-T30-T40
- 1/4"  4  3-4-5-6 mm

Art.		
38005	1/4"	1/4"



NEW
NUEVO
NOVO

ALL IN
mm
inch



Video

KRAFTWERKtools.com/video/combi



Socket wrench and bit set

in stainless steel

Juego de llaves de vaso y puntas

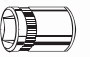


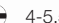



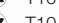






en acero inoxidable

Jogo de chaves de caixa e bits



em aço inox

1/4" 1/4" 45 PCS

inox

- 1/4"  13  4-4.5-5-5.5-6-7-8-9-10-11-12-13-14 mm
- 1/4"  2  4-5.5-6.5 mm
- 1/4"  4  PH1 - 2xPH2 - PH3
- 1/4"  4  PZ1 - 2xPZ2 - PZ3
- 1/4"  7  T10-T15-T20-T25-T27-T30-T40
- 1/4"  7  T10-T15-T20-T25-T27-T30-T40
- 1/4"  5  3-4-5-6-8 mm

-   1/4"  1/4"
-   1/4"  1/4"

Art.		
4003	1/4"	1/4"



NEW
NUEVO
NOVO


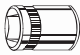













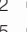






165 x 85 x 35 mm

INOX-tools – to avoid external rust
Herramientas en acero inoxidable para evitar el óxido externo
Ferramentas aço INOX para evitar ferrugem externa

ABS

Socket wrench case
Estuche de llaves de vaso
Mala de chaves de caixa


-   12 4-4.5-5-5.5-6-7-8
9-10-11-12-13 mm
-   1/4"  1/4"
-  50 mm
-   Art. 1000
-    2  4-5.5 mm
-  2  PH 1-2
-  2  PZ 1-2
-  5  T15-T20-T25-T30-T40

Art.		
1003	1/4"	1/4"


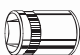
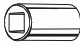



















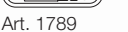
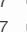










JUNIOR line





 163 x 80 x 35 mm

ABS

Socket wrench case
Estuche de llaves de vaso
Mala de chaves de caixa

-   13 4-4.5-5-5.5-6-7-8
9-10-11-12-13-14 mm
-   1/4"  1/4"
-   1/4"  1/4"
-  2 50 mm / 100 mm
-  115 mm
-   1/4"
-   Art. 1000
-    4  4.5-5-6.5-8 mm
-  4  PH 0-1-2-3
-  3  PZ 1-2-3
-  7  T10-T15-T20-T25-T27-T30-T40
-  7  T10-T15-T20-T25-T27-T30-T40
-  6  3-4-5-6-7-8 mm
-   1/4"  1/4"
-   1/4"  1/4"

Art. 1789
4.069

Art.		
1002	1/4"	1/4"

JUNIOR line



 225 x 145 x 60 mm


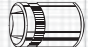


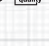

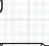




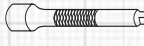


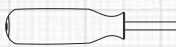


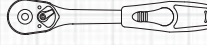


Socket wrench case
Estuche de llaves de vaso
Mala de chaves de caixa

1/4"



44
PCS

JUNIOR Line

-   13 4-4.5-5-5.5-6-7-8
9-10-11-12-13-14 mm
-   3 4-4.5-6.5 mm
-  3 PH 1-2-3
-  3 PZ 1-2-3
-  8 T8-T10-T15-T20-T25-T27-T30-T40
-  5 3-4-5-6-8 mm
-   1/4"  3/8"
-  2 50 mm / 100 mm
-   1/4"
-   1/4"
-   Art. 1000
-  3  1.5-2-2.5 mm



225 x 145 x 60 mm

Art.	
1001	1/4"



Series **6012**

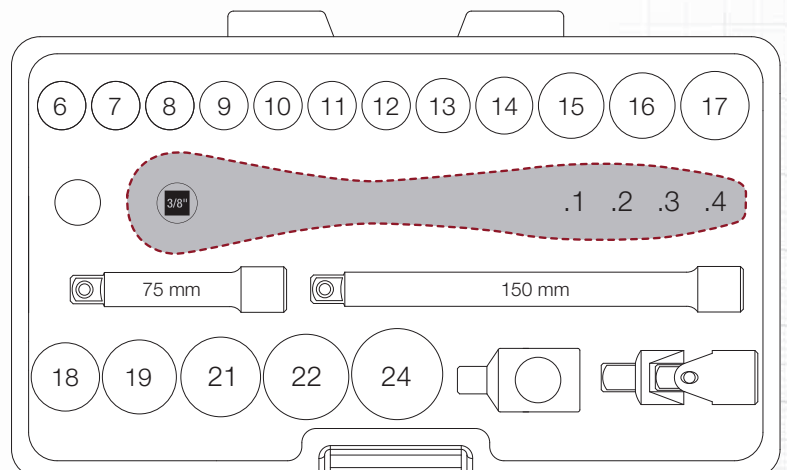
modulo



± 270 x 160 x 60 mm

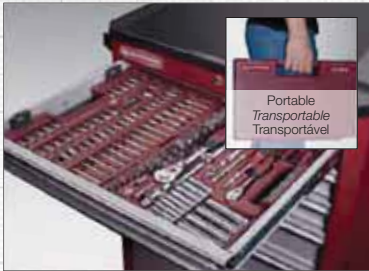
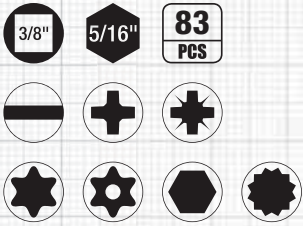
Socket wrench case
Estuche de llaves de vaso
 Mala de chaves de caixa

Art.	
6012.0	without ratchet handle <i>sin carraca</i> <i>sem roquete</i>
6012.1	 Art. 3210B
6012.2	 Art. 4019B
6012.3	 Art. 4010B
6012.4	 Art. 3216B



Series **6011**

modulo



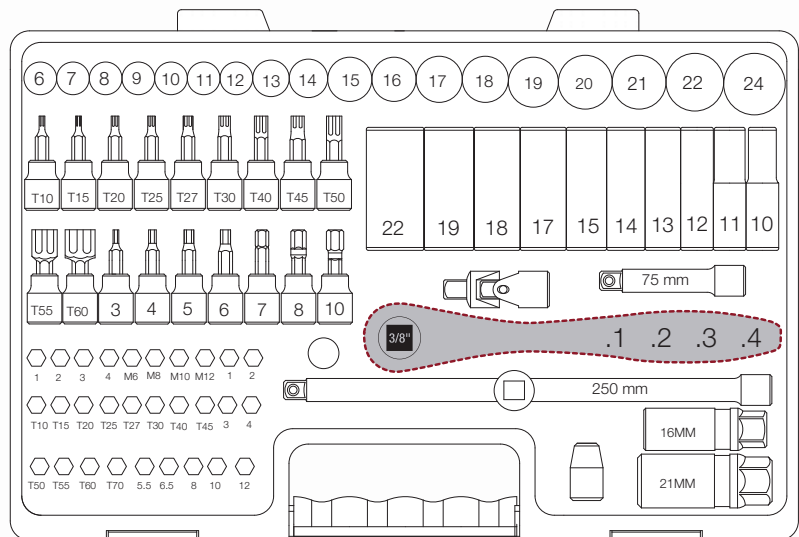
Stationary use, fitting in tool-cabinets
Adaptado para carros taller
Adaptado para carros de oficina



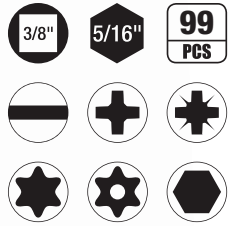
↕ 410 x 270 x 70 mm

Socket wrench case
Estuche de llaves de vaso
Mala de chaves de caixa

Art.	
6011.0	without ratchet handle <i>sin carraca</i> <i>sem roquete</i>
6011.1	 Art. 3210B
6011.2	 Art. 4019B
6011.3	 Art. 4010B
6011.4	 Art. 3216B



Series 6014



Portable
Transportable
Transportável

Stationary use, fitting in tool-cabinets
Adaptado para carros taller
Adaptado para carros de oficina







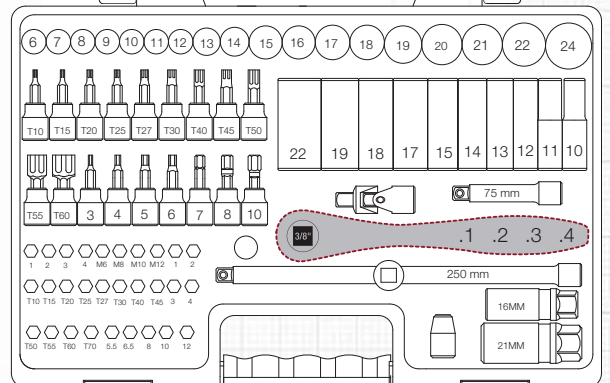
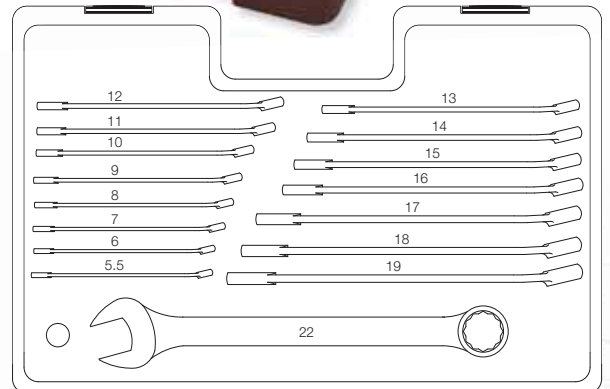
410 x 270 x 95 mm

Socket wrench case with combination spanners

Estuche de llaves de vaso
con llaves combinadas

Mala de chaves de caixa
com chaves de boca luneta


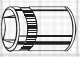
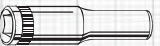
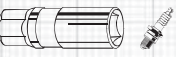

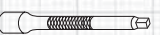
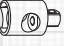
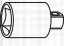

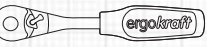
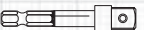
Art.	
6014.0	without ratchet handle sin carraca sem roquete
6014.1	 Art. 3210B
6014.2	 Art. 4019B
6014.3	 Art. 4010B
6014.4	 Art. 3216B



Socket wrench case
Estuche de llaves de vaso
Mala de chaves de caixa

3/8"  **33**
PCS

COMPLETO

		15	8-9-10-11-12-13-14-15-16-17 18-19-21-22-24 mm
		8	10-11-12-13-14-15-17-19 mm
		3	16-18-21 mm
			○ 3/8" ■ 3/8"
		2	75 mm / 250 mm
			○ 1/2" ■ 3/8"
			○ 3/8" ■ 1/4"
		Art. 3210	
			◆ 1/4" ■ 3/8"

Art.	○
4900-02K	3/8"


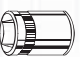

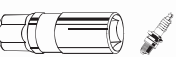










✚ 421 x 200 x 68 mm

Socket wrench set
in solid metal case
Juego de llaves de vaso
en estuche sólido metálico
Jogo de chaves de caixa
em caixa metálica

3/8"   **50**
PCS

metallic

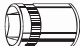






		15	6-7-8-9-10-11-12-13-14 15-16-17-18-19-22 mm
		4	10-13-17-19 mm
		2	16 mm / 21 mm
			○ 3/8" ○ 1/4"
			○ 3/8" ■ 3/8"
		2	75 mm / 250 mm
			○ 1/2" ■ 3/8"
		Art. 3210	
		4	⊖ 4-5-5-6-5-8 mm
		3	⊕ PH 1-2-3
		3	⊕ PZ 1-2-3
		7	⊛ T10-T15-T20-T25-T27-T30-T40
		6	⊙ 3-4-5-6-7-8 mm

Art.	○	◆
2013	3/8"	1/4"



✚ 350 x 195 x 50 mm

Socket wrench case
Estuche de llaves de vaso
Mala de chaves de caixa

-  15 6-7-8-9-10-11-12-13-14
15-16-17-18-19-22 mm
-  3 10-13-17 mm
-  2 16 mm / 21 mm
-  3/8" 3/8"
-  2 75 mm / 200 mm
-  1/2" 3/8"
-  45 Art. 1010

Art.	<input type="checkbox"/>
1012	3/8"



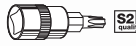



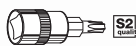





3/8"  25 PCS

JUNIOR line



↕ 310 x 215 x 65 mm

Socket wrench case
for internal and external TX-screws
Estuche de llaves de vaso
para tornillos TX interiores y exteriores
Mala de chaves de caixa
para parafusos externos e internos TX

- 1/4"  7  E4-E5-E6-E7-E8-E10-E11
-  S2 10  T10-T15-T20-T25-T27-T30
- 3/8"  5  E12-E14-E16-E18-E20
-  S2 5  T40-T45-T50-T55-T60
-  3/8" 1/4"
- 1/4"  S2 7  T10-T15-T20-T25-T27-T30-T40
- 7  T10-T15-T20-T25-T27-T30-T40

Art.	<input type="checkbox"/>	<input type="checkbox"/>
6013	1/4" + 3/8"	1/4"

1/4" 3/8" 1/4" 38 PCS


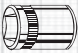
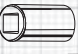


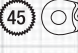


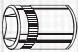
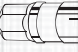

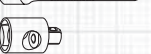

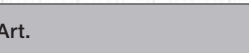
modulo



↕ 270 x 160 x 60 mm

Socket wrench set
Juego de llaves de vaso
Jogo de chaves de caixa

1/4" 3/8"  **37**
PCS

		14	3.5-4-4.5-5-5.5-6-7-8-9 10-11-12-13-14 mm
			□ 1/4" ○ 1/4"
			□ 1/4" ■ 1/4"
			100 mm
			□ 3/8" ■ 1/4"
		Art. 3200	
		12	10-13-14-15-16-17-18-19 20-21-22-24 mm
		2	16 mm / 21 mm
			□ 3/8" ■ 3/8"
			150 mm
			□ 1/2" ■ 3/8"
		Art. 3210	




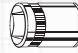
















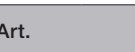



ABS

305 x 140 x 42 mm

Art.	□
4046	1/4" + 3/8"

Socket wrench set
Juego de llaves de vaso
Jogo de chaves de caixa

1/4" 3/8" 1/4"  **69**
PCS

		14	3.5-4-4.5-5-5.5-6-7-8 9-10-11-12-13-14 mm
			□ 1/4" ○ 1/4"
			□ 1/4" ■ 1/4"
		2	50 mm / 100 mm
			□ 1/4" ■ 3/8"
		Art. 3200	
		14	10-13-15-16-17-18-19- 20-21-22-24 mm
			□ 3/8" ■ 3/8"
		2	75 mm / 250 mm
			□ 1/2" ■ 3/8"
		Art. 3210	
		4	4.5-5-6.5-8 mm
		4	PH 0-1-2-3
		3	PZ 1-2-3
		7	T10-T15-T20-T25-T27-T30-T40
		7	T10-T15-T20-T25-T27-T30-T40
		6	3-4-5-6-7-8 mm
			■ 1/4" □ 1/4"
			■ 1/4" ○ 1/4"



ABS

380 x 212 x 55 mm

NEW
NUEVO
NOVO



Art.	□	■
3035	1/4" + 3/8"	1/4"

The most compact 1/4" + 3/8" drive set!


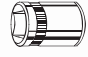



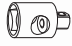



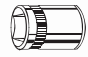

Socket wrench set with two 72 fine teeth slim head ratchet handles in solid ABS-case.

El juego más compacto 1/4"+3/8"!

Estuche sólido en ABS de llaves de vaso con dos carracas finas 72 dientes.

Jogo de chaves de caixa 1/4"+3/8" mais compacto!

Com dois Roquetes de 72 dentes finos e cabeça baixa num estojo sólido em ABS.

		14	3.5-4-4.5-5-5.5-6-7-8-9 10-11-12-13-14 mm
			○ 1/4" ○ 1/4"
			○ 1/4" ■ 1/4"
			100 mm
			○ 3/8" ■ 1/4"
			Art. 4009
		12	10-13-14-15-16-17-18-19 20-21-22-24 mm
		2	16 mm / 21 mm

Art.	○
4045	1/4" + 3/8"







EXTREME



305 x 140 x 42 mm


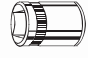
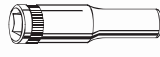




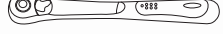

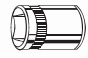

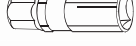



ABS

	○ 3/8" ■ 3/8"
	150 mm
	○ 1/2" ■ 3/8"
	Art. 4019

Inch socket wrench case

Estuche llaves de vaso pulgadas

Mala de chaves de caixa polegadas

		9	3/16"-7/32"-1/4"-9/32"-5/16" 11/32"-3/8"-7/16"-1/2"
		9	3/16"-7/32"-1/4"-9/32"-5/16" 11/32"-3/8"-7/16"-1/2"
			○ 1/4" ■ 1/4"
		2	50 mm / 100 mm
			○ 1/4" ■ 1/4"
			Art. 4009
		8	9/16"-5/8"-11/16"-3/4" 13/16"-7/8"-15/16"-1"
		3	9/16"-11/16"-3/4"
		2	5/8" / 13/16"
			○ 3/8" ■ 3/8"
		2	75 mm / 250 mm
			○ 1/2" ■ 3/8"



Art.	○
4900-29K	1/4" + 3/8"



COMPLETO EXTREME



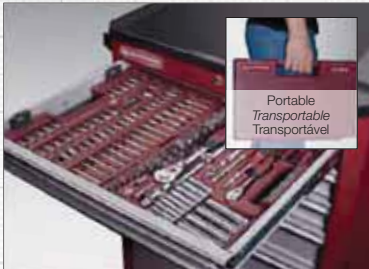
421 x 200 x 68 mm

	Art. 4019	
	9	● 1/16"-5/64"-3/32"-1/8"-5/32" ● 3/16"-1/4"-5/16"-3/8"

Series **6022**

1/2" **32**
PGS

modulo



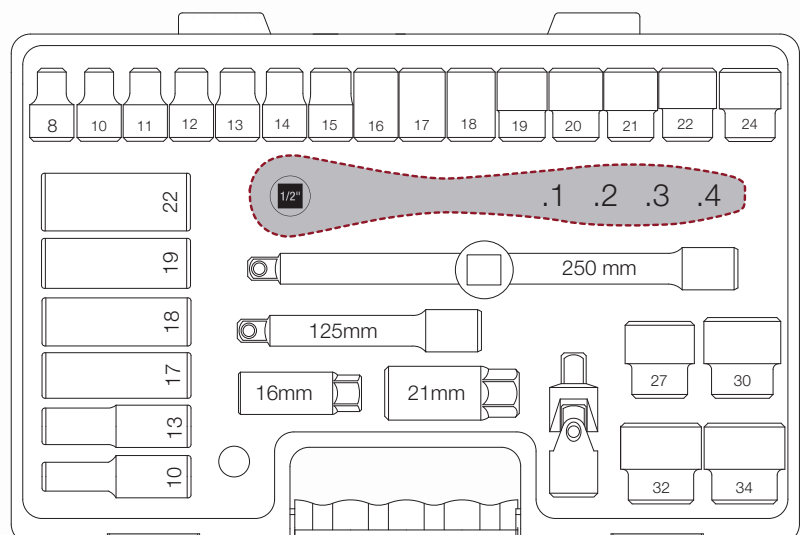
Stationary use, fitting in tool-cabinets
Adaptado para carros taller
Adaptado para carros de oficina



↕ 410 x 270 x 70 mm

Socket wrench case
Estuche de llaves de vaso
Mala de chaves de caixa

Art.	
6022.0	without ratchet handle <i>sin carraca</i> <i>sem roquete</i>
6022.1	 Art. 3220B
6022.2	 Art. 4029B
6022.3	 Art. 4020B
6022.4	 Art. 3226B



Series 6024

1/2" 48 PCS

modulo



Portable
Transportable
Transportável

Stationary use, fitting in tool-cabinets
Adaptado para carros taller
Adaptado para carros de oficina







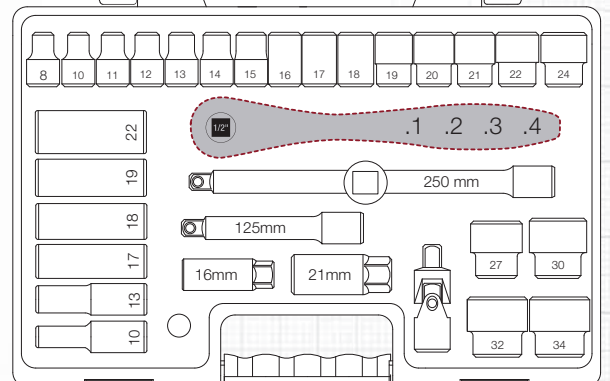
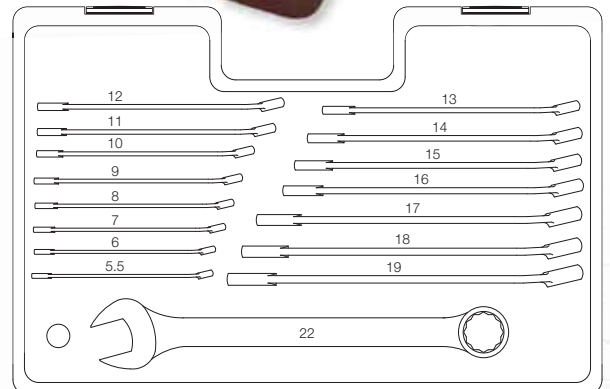
410 x 270 x 95 mm

Socket wrench case with combination spanners

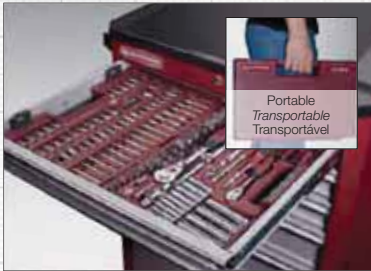
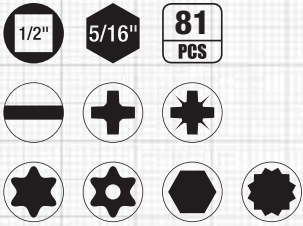
Estuche de llaves de vaso
con llaves combinadas

Mala de chaves de caixa
com chaves de boca luneta

Art.	
6024.0	without ratchet handle sin carraca sem roquete
6024.1	 Art. 3220B
6024.2	 Art. 4029B
6024.3	 Art. 4020B
6024.4	 Art. 3226B



Series **6021**



Portable
Transportable
Transportável

Stationary use, fitting in tool-cabinets
Adaptado para carros taller
Adaptado para carros de oficina

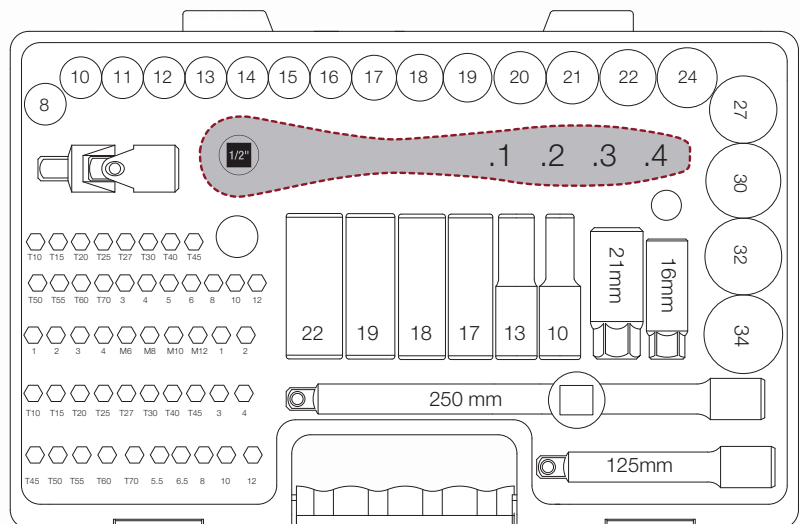
modulo



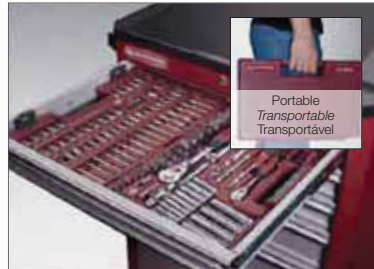
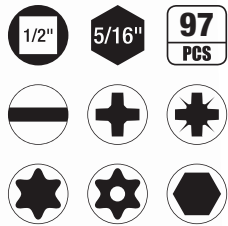
410 x 270 x 70 mm

Socket wrench case
Estuche de llaves de vaso
Mala de chaves de caixa

Art.	
6021.0	without ratchet handle <i>sín carraca</i> <i>sem roquete</i>
6021.1	 Art. 3220B
6021.2	 Art. 4029B
6021.3	 Art. 4020B
6021.4	 Art. 3226B



Series 6023



Stationary use, fitting in tool-cabinets
 Adaptado para carros taller
 Adaptado para carros de oficina

modulo







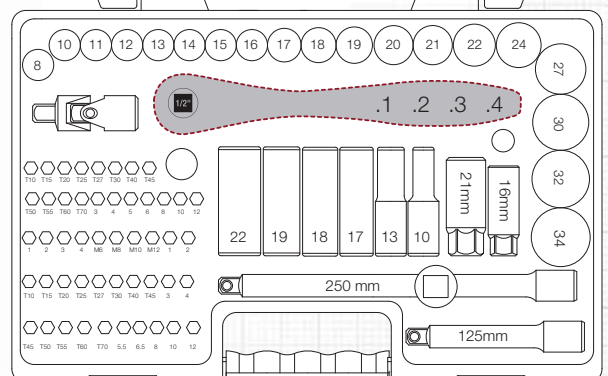
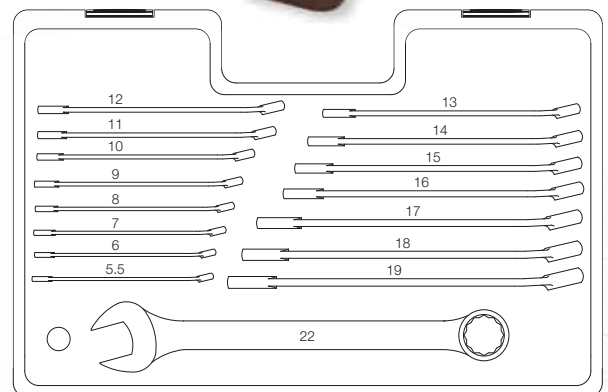
410 x 270 x 95 mm

Socket wrench case with combination spanners

Estuche de llaves de vaso
 con llaves combinadas

Mala de chaves de caixa
 com chaves de boca luneta


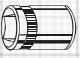
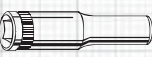
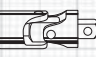



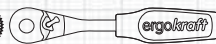
Art.	
6023.0	without ratchet handle sin carraca sem roquete
6023.1	 Art. 3220B
6023.2	 Art. 4029B
6023.3	 Art. 4020B
6023.4	 Art. 3226B



Socket wrench case
Estuche de llaves de vaso
Mala de chaves de caixa

1/2"  **27**
PCS

COMPLETO

		17	10-11-12-13-14-15-16-17-18-19 21-22-24-27-30-32-34 mm
		8	10-13-17-19-22 mm
		<input type="checkbox"/> 1/2" <input type="checkbox"/> 1/2"	
		2	125 mm / 250 mm
		<input type="checkbox"/> 3/8" <input type="checkbox"/> 1/2"	
		Art. 3220	



 421 x 200 x 68 mm

Art.	<input type="checkbox"/>
4900-03K	1/2"


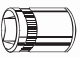
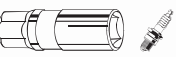
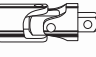



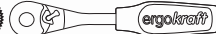
Socket wrench set
in solid metal case

Juego de llaves de vaso
en estuche sólido metálico

Jogo de chaves de caixa
em caixa metálica

1/2"  **22**
PCS

metallic

		15	10-11-12-13-14-15-16-17-18 19-22-24-27-30-32 mm
		2	16 mm / 21 mm
		<input type="checkbox"/> 1/2" <input type="checkbox"/> 1/2"	
		2	125 mm / 250 mm
		<input type="checkbox"/> 3/8" <input type="checkbox"/> 1/2"	
		Art. 3220	



 350 x 195 x 50 mm

Art.	<input type="checkbox"/>
2023	1/2"

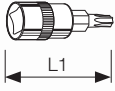
TX bit-socket set

Juego de vasos con punta TX

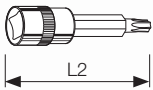
Jogo de chaves caixa com bit TX



NEW
NUEVO
NOVO



12 ● T10-T15-T20-T25-T27-T30
T40-T45-T50-T55-T60-T70



11 ● T10-T15-T20-T25-T27-T30
T40-T45-T50-T55-T60

Art.	○	L1 / L2
2025	1/2"	55 / 100 mm



↕ 371 x 156 x 42 mm

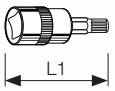
Hexagon- and XZN spline bit-socket set

Juego de vasos con punta hexagonal y XZN

Jogo de chaves caixa com bit sextavado e XZN

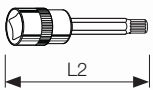


NEW
NUEVO
NOVO



6 ● 5-6-7-8-10-12 mm

5 ● M5-M6-M8-M10-M12



6 ● 5-6-7-8-10-12 mm

5 ● M5-M6-M8-M10-M12

Art.	○	L1 / L2
2026	1/2"	55 / 100 mm



↕ 371 x 156 x 42 mm



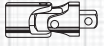
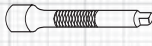
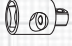
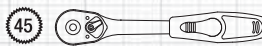
Socket wrench case
Estuche de llaves de vaso
Mala de chaves de caixa

1/2"



22
PCS

JUNIOR Line

-  15 10-11-12-13-14-15-16-17-18
19-22-24-27-30-32 mm
-  2 16 mm / 21 mm
-  1/2" 1/2"
-  2 125 mm / 250 mm
-  3/8" 1/2"
-  Art. 1020



Art.	<input type="checkbox"/>
1022	1/2"

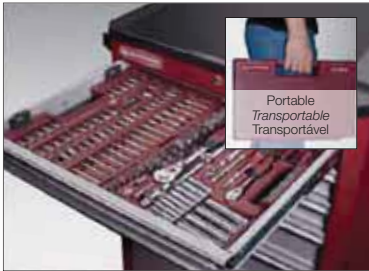
✚ 310 x 215 x 75 mm



Series 6031

modulo

1/4" 1/2" 57 PCS



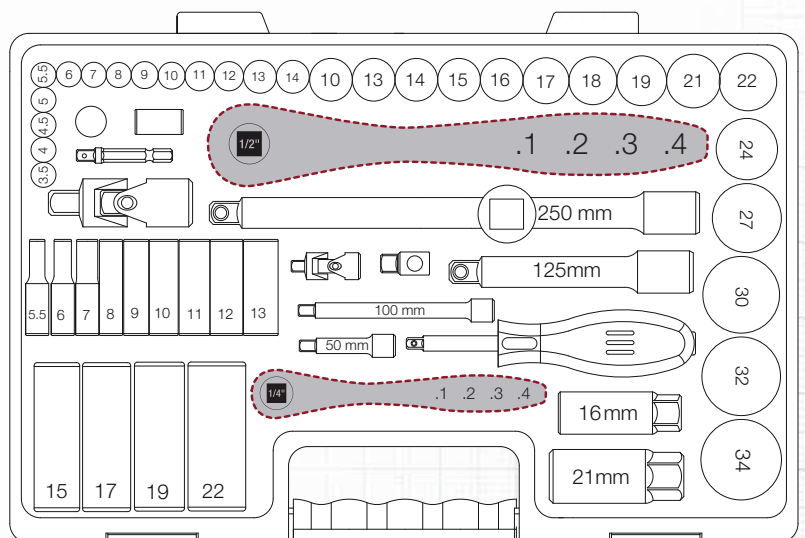
Stationary use, fitting in tool-cabinets
 Adaptado para carros taller
 Adaptado para carros de oficina



410 x 270 x 70 mm

Socket wrench case Estuche de llaves de vaso Mala de chaves de caixa

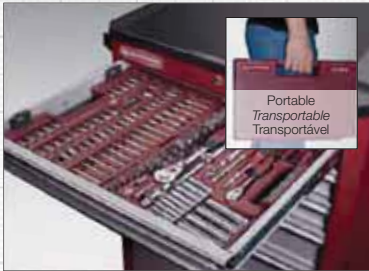
Art.	
6031.0	without ratchet handle sin carraca sem roquete
6031.1	 Art. 3200B / 3220B
6031.2	 Art. 4009B / 4029B
6031.3	 Art. 4000B / 4020B
6031.4	 Art. 3206B / 3226B



Series **6034**

1/4" 1/2" **73**
PCS

modulo



Portable
Transportable
Transportável

Stationary use, fitting in tool-cabinets
Adaptado para carros taller
Adaptado para carros de oficina



410 x 270 x 95 mm

Socket wrench case

with combination spanners

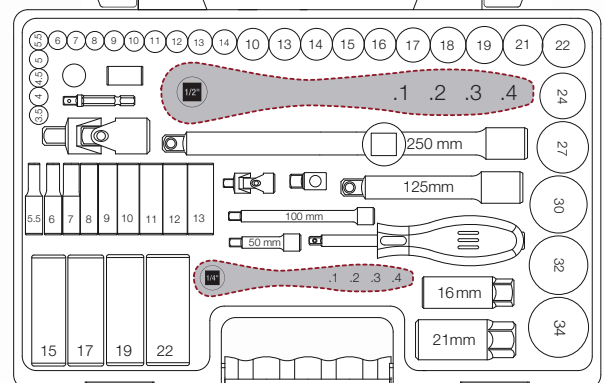
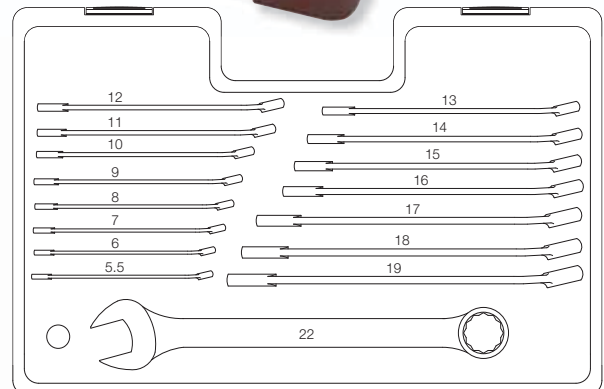
Estuche de llaves de vaso

con llaves combinadas

Mala de chaves de caixa

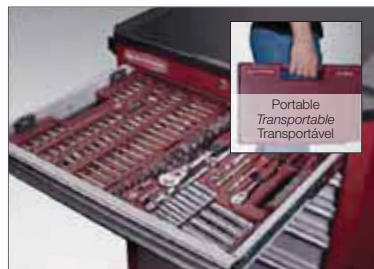
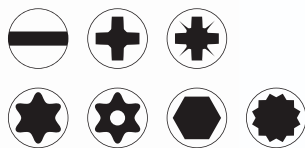
com chaves de boca luneta

Art.	
6034.0	without ratchet handle sin carraca sem roquete
6034.1	 Art. 3200B / 3220B
6034.2	 Art. 4009B / 4029B
6034.3	 Art. 4000B / 4020B
6034.4	 Art. 3206B / 3226B



Series 6033

1/4" 1/2" 1/4" 5/16" 129 PCS



Portable
Transportable
Transportável

Stationary use, fitting in tool-cabinets
Adaptado para carros taller
Adaptado para carros de oficina

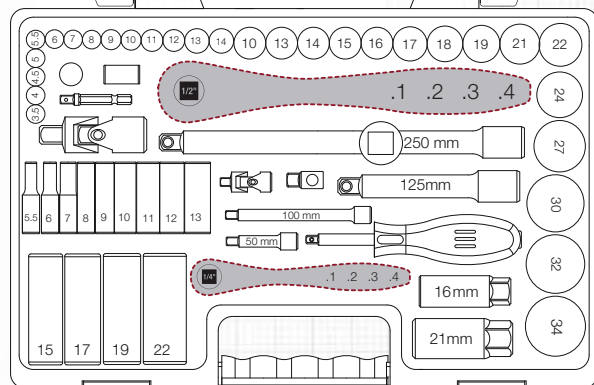
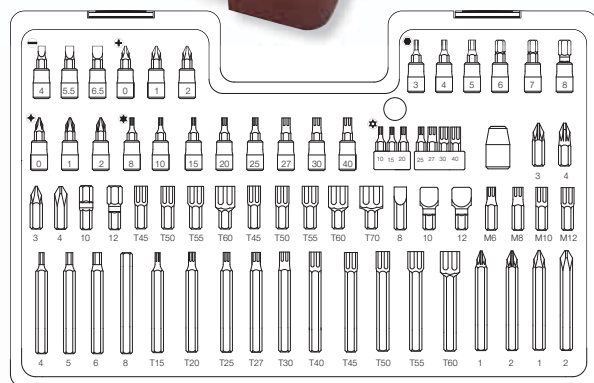
modulo

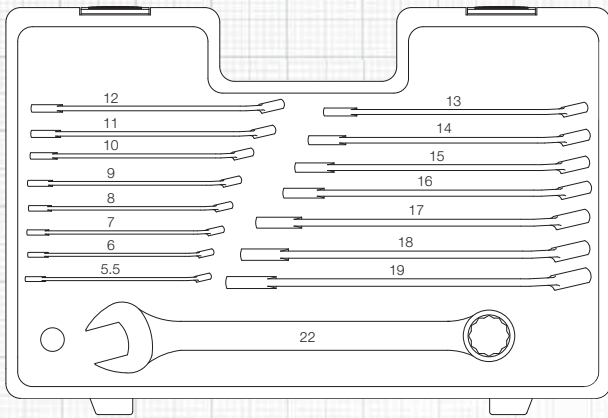


410 x 270 x 95 mm

Socket wrench case Estuche de llaves de vaso Mala de chaves de caixa

Art.	
6033.0	without ratchet handle sin carraca sem roquete
6033.1	 Art. 3200B / 3220B
6033.2	 Art. 4009B / 4029B
6033.3	 Art. 4000B / 4020B
6033.4	 Art. 3206B / 3226B





16
PCS



DIN 3113 / ISO 3318, 7738

modulo



410 x 270 x 45 mm

Combination wrench set

usable as cover for the modulo socket wrench cases

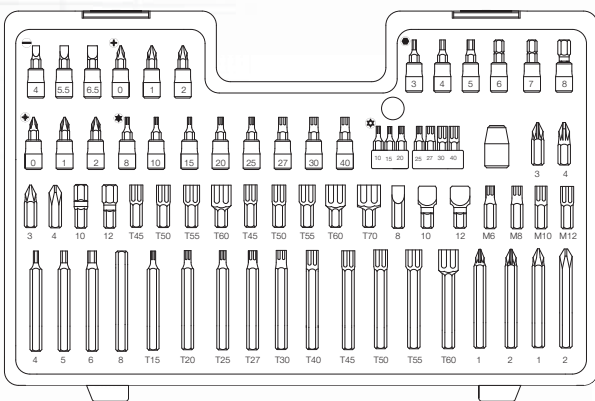
Juego de llaves combinadas

utilizable como tapa para módulo llaves de vaso

Jogo de chaves de boca-luneta

utilizável como tampa no módulo de chaves de caixa

Art.	mm
6051	5.5-6-7-8-9-10-11-12-13-14-15-16-17-18-19-22



1/4" 1/2" 1/4" 5/16" 72
PCS

modulo



410 x 270 x 45 mm

Bit-socket and bit set

usable as cover for the modulo socket wrench cases

Juego de vasos-punta y puntas

utilizable como tapa para módulo llaves de vaso

Jogo de chaves de caixa com bit e bits


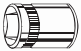
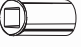












utilizável como tampa no módulo de chaves de caixa

Art.	1/4"	1/2"	1/4" + 5/16"
6032			

Socket wrench set

Juego de llaves de vaso

Jogo de chaves de caixa

		14	3.5-4-4.5-5-5.5-6-7-8 9-10-11-12-13-14 mm
			○ 1/4" ○ 1/4"
			○ 1/4" ■ 1/4"
		2	50 mm / 100 mm
			○ 1/4" ■ 1/4"
			Art. 3200
		12	10-13-15-16-17-18 19-20-21-22-24-27 mm
			○ 1/2" ■ 1/2"
			250 mm
			○ 3/8" ■ 1/2"
			Art. 3220

Art.	○	■
3039	1/4" + 1/2"	1/4"

Socket wrench set


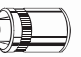

















in solid metal case

Juego de llaves de vaso

en estuche sólido metálico

Jogo de chaves de caixa

em caixa metálica

		12	4-4.5-5-5.5-6-7-8-9-10-11-12-13 mm
		3	8-10-13 mm
			○ 1/4" ○ 1/4"
			○ 1/4" ■ 1/4"
			50 mm
			115 mm
			■ 1/4"
			Art. 3200
		11	14-15-16-17-18-19-22-24-27-30-32 mm
		2	17 mm / 19 mm
		2	16 mm / 21 mm
			○ 1/2" ○ 5/16"
			○ 1/2" ■ 1/2"
		2	125 mm / 250 mm
			Art. 3220

Art.	○	■
2033	1/4" + 1/2"	1/4" + 5/16"

1/4" 1/2" 1/4"  **69**
PCS












NEW
NUEVO
NOVO



380 x 212 x 55 mm

ABS






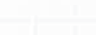

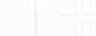

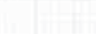
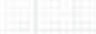

		4	○ 4.5-5-6.5-8 mm
		4	⊕ PH 0-1-2-3
		3	⊕ PZ 1-2-3
		7	⊛ T10-T15-T20-T25-T27-T30-T40
		7	⊛ T10-T15-T20-T25-T27-T30-T40
		6	● 3-4-5-6-7-8 mm
			■ 1/4" ■ 1/4"
			■ 1/4" ○ 1/4"

1/4" 1/2" 1/4" 5/16"  **70**
PCS

metallic



435 x 265 x 50 mm

		3	○ 4-5-5-6.5 mm
		2	⊕ PH 1-2
		2	⊕ PZ 1-2
		6	⊛ T10-T15-T20-T25-T27-T30
		4	● 3-4-5-6 mm
		2	○ 8-10 mm
		2	⊕ PH 3-4
		2	⊕ PZ 3-4
		4	⊛ T40-T45-T50-T55
		2	● 8-10 mm

Universal COMBI socket wrench case
with 2 extensible ratchet handles and combination spanners

Maleta universal de vasos COMBI

con 2 carracas extensibles y llaves combinadas

Mala de chaves de caixa universal COMBI

com 2 roquetes extensíveis e chaves combinadas



COMBI
metallic

- 13 mm 4-4.5-5-5.5-6-7-8-9-10-11-12-13-14 mm
- inch 5/32"-7/32"-1/4"-5/16"-11/32"-3/8"-7/16"
15/32"-1/2"-9/16"
- E5-E6-E8-E10-E12-E14-E16-E18
- M5-M6-M8-M10-M12-M14-M16-M18

- 1/4" 1/4"
- 1/4" 1/4"
- 2 50 mm / 100 mm
- 150 mm
- 1/4"

Art. 2000

- 150-200 mm

- 12 mm 15-16-17-18-19-20-21-22-24-27-30-32 mm
- inch 19/32"-5/8"-11/16"-3/4"-25/32"-13/16"-7/8"
15/16"-1-1/16"1-3/16"1-1/4"
- E20-E22-E24-E26-E28-E30-E34-E38-E40

- 2 16 mm / 21 mm
- 1/2" 1/2"
- 2 125 mm / 250 mm
- 1/2" 3/8"

Art. 2020

- 305-445 mm

- 4 4.5-5-6.5-8 mm
- 4 PH 0-1-2-3
- 3 PZ 1-2-3
- 7 T10-T15-T20-T25-T27-T30-T40
- 7 T10-T15-T20-T25-T27-T30-T40
- 6 3-4-5-6-7-8 mm

- 1/4" 1/4"
- 1/4" 1/4"
- 9 8-10-11-12-13-14-17-19-22 mm

NEW
NUEVO
NOVO

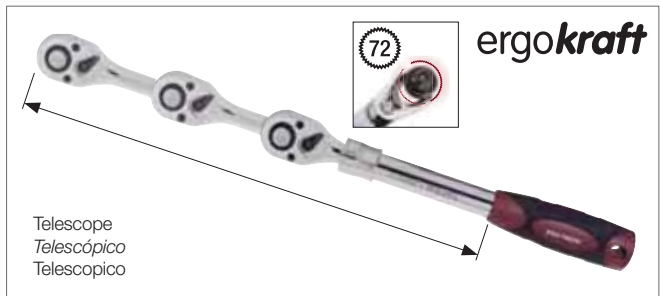


435 x 350 x 69 mm



Video

KRAFTWERKtools.com/video/combi




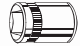










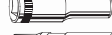







Art.		
2034	1/4" + 1/2"	1/4"



Socket wrench case

Estuche de llaves de vaso

Mala de chaves de caixa

		12	4-4.5-5-5.5-6-7-8 9-10-11-12-13 mm
		8	6-7-8-9-10-11-12-13 mm
			○ 1/4" ○ 1/4"
			○ 1/4" ■ 1/4"
		2	50 mm / 100 mm
			125 mm
			■ 1/4"
		Art. 1000	
		17	10-11-12-13-14-15-16-17-18 19-20-21-22-24-27-30-32 mm
		8	14-15-17-18-19-22 mm
		2	16 mm / 21 mm
			○ 1/2" ■ 1/2"
		2	125 mm / 250 mm
			○ 1/4" ■ 1/2"
		Art. 1020	
		3	● 1.5-2-2.5 mm

Art.	○	■
1031	1/4" + 1/2"	1/4" + 5/16"

Socket wrench case

















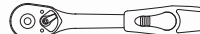
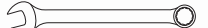
with combination spanners

Estuche de llaves de vaso

con llaves combinadas

Mala de chaves de caixa

com chaves de boca luneta

		13	4-4.5-5-5.5-6-7-8 9-10-11-12-13-14 mm
			○ 1/4" ○ 1/4"
			○ 1/4" ■ 1/4"
		2	50 mm / 100 mm
			125 mm
			■ 1/4"
		Art. 1000	
		11	15-16-17-18-19-20 22-24-27-30-32 mm
		2	16 mm / 21 mm
			○ 1/2" ■ 1/2"
			○ 1/4" ■ 1/2"
		2	125 mm / 250 mm
		Art. 1020	
		9	8-10-11-12-13-14-17-19-22 mm

Art.	○	■
1032	1/4" + 1/2"	1/4"



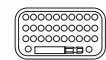
115
PCS

JUNIOR Line



410 x 265 x 90 mm

- 3 ○ 8-10-12 mm
- 2 + PH 3-4
- 2 + PZ 3-4
- 5 ★ T40-T45-T50-T55-T60
- 5 ☆ T40-T45-T50-T55-T60
- 3 ● 10-12-14 mm



Art. 1789
4.069

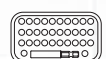
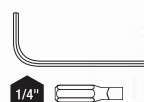


84
PCS

JUNIOR Line



410 x 265 x 90 mm



Art. 1789
4.069



Heavy duty socket wrench cases

Fine teeth ratchet handles with socket quick release function and extension bars with locking system

Estuches industriales de llaves de vaso

Carracas con función de extracción rápida y alargadera con sistema de bloqueo

Jogos de chaves de caixa "Heavy duty"

Roquetes com mecanismo de ejeção de chaves e extensões com sistema de segurança



Socket wrench case


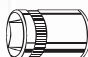



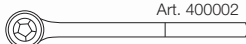
with ratchet handle without telescope function

Estuche de llaves de vaso

con carraca sin función de mango telescópico/extensible

Jogo de chaves de caixa

com roquete sem mecanismo extensível

		16	19-21-22-23-24-26-27-29 30-32-35-36-38-41-46-50 mm
		3	100-200-400 mm
			460 mm
			Art. 400002 500 mm



535 x 383 x 100 mm

Art.



2056

3/4"

Socket wrench case

with extensible/telescope ratchet handle

Estuche de llaves de vaso

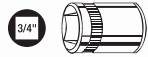
Carraca con mango telescópico/extensible

Jogo de chaves de caixa

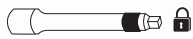
com roquete extensível



21
PCS



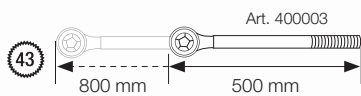
16 19-21-22-23-24-26-27-29
30-32-35-36-38-41-46-50 mm



3 100-200-400 mm



460 mm



Art.	□
2057	3/4"

NEW
NUEVO
NOVO



535 x 383 x 100 mm

Socket wrench case

with extensible/telescope ratchet handle, in solid metal case

Estuche de llaves de vaso

Carraca con mango telescópico/extensible, en caja metálica maciza

Jogo de chaves de caixa

com roquete extensível, em caixa metálica



21
PCS



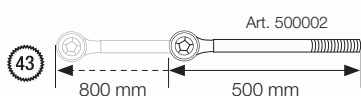
17 36-38-41-46-50-54-55-58-60
63-65-67-70-71-75-77-80 mm



2 200 mm / 400 mm



□ 1" ■ 1"



Art.	□
2053	1"

NEW
NUEVO
NOVO



700 x 280 x 108 mm

Pass-through socket wrench sets

1. The pass-through head design enables the fastening and unfastening jobs with long bolt and threaded rods. No deep sockets needed anymore.
2. The unique drive configuration increases torque strength by 40 %. The 72 teeth ratchet handle reduces the return angle to 5° only.
3. Overall height is reduced by 50 %, width by 20 %.
4. Usage of standard sockets with quick release adapters 1/4", 3/8" and 1/2" drive.

GEAR RATCHET



Juegos de llaves de vaso abiertas

1. La cabeza abierta de la carraca permite la entrada en un esparrago largo para el apriete/desapriete de tuercas. Sin más vasos largos!
2. La configuración especial de la carraca incrementa la fuerza de apriete en un 40%. Carraca con 72 dientes que reduce el ángulo de recuperación a solo 5°.
3. Reducción de la altura en un 50% y del grosor en un 20%.
4. Utilización de vasos standard con adaptadores de extracción rápida de 1/4", 3/8" y 1/2".

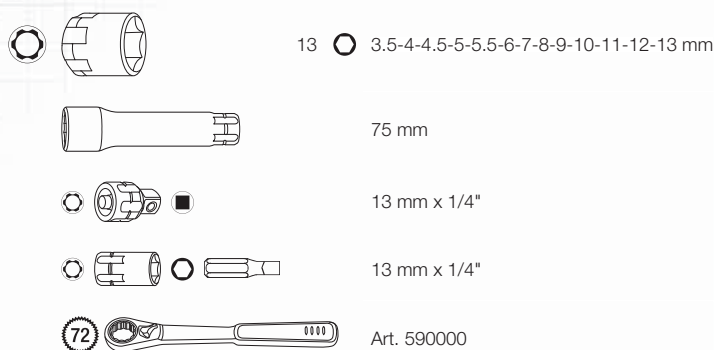
Jogos de chaves de caixa de aperto

1. O desenho da cabeça do roquete permite o aperto e o desaperto de parafusos longos e varão rosca-do. A utilização de chaves longas não será mais necessária.
2. A configuração única e especial deste roquete aumenta a força do torque em 40%. O roquete de 72 dentes finos diminui o ângulo de aperto a apenas 5°.
3. Redução da altura em 50% e da espessura em 20%.
4. Utilização de chaves standard com adaptadores 1/4", 3/8" e 1/2".

Pass-through socket wrench set

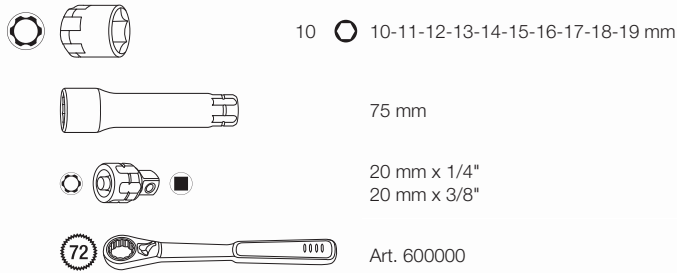
Juego de llaves de vaso abiertas

Jogo de chaves de caixa de aperto



Art.	
4002	13 mm

Pass-through socket wrench set
Juego de llaves de vaso abiertas
 Jogo de chaves de caixa de aperto



Art.	○
4012	20 mm

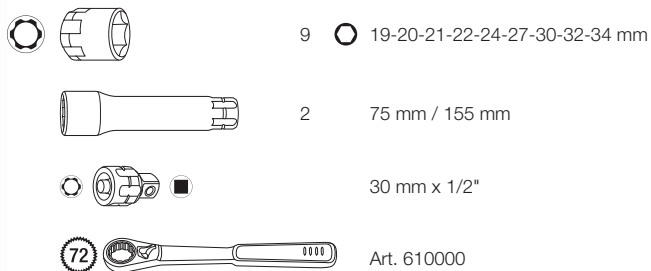


GEARRATCHET



↕ 305 x 140 x 42 mm

Pass-through socket wrench set
Juego de llaves de vaso abiertas
 Jogo de chaves de caixa de aperto



Art.	○
4022	30 mm



↕ 380 x 210 x 55 mm

Pass-through socket wrench case
Estuche de llaves de vaso abiertas
Mala de chaves de caixa de aperto

13 mm
20 mm
30 mm

38
PCS

GEARRATCHET
COMPLETO

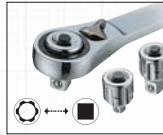
13 mm 9 3-5-4-4.5-5-5.5-6-7-8-9 mm
20 mm 10 10-11-12-13-14-15-16-17-18-19 mm
30 mm 8 20-21-22-24-27-30-32-34 mm

13 mm 75 mm
20 mm 75 mm
30 mm 2 75 mm / 155 mm

13 mm x 1/4"
20 mm x 3/8"
30 mm x 1/2"

13 mm x 1/4"

72 13 mm Art. 590000
20 mm Art. 600000
30 mm Art. 610000



421 x 200 x 68 mm

Art.	
4900-49K	13-20-30 mm



13
PCS

JUNIOR Line

Pass-through socket wrench set
with **reversible** offset wrench 14 x 17 mm, versatile applicable as high torque go-through ratchet handle.

Juego de llaves de vaso abiertas
con llave **reversible** con carraca de gran capacidad, acodada, 14x17mm.

Jogo de chaves de caixa de aperto
con sistema de roquete **reversível** 14x17mm, equivalente a um roquete permanente.

CrMo 17 CrMo 20

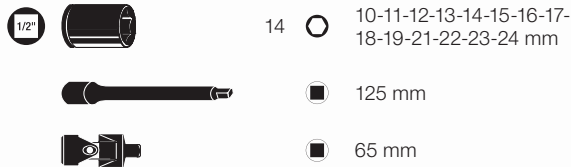
CrV 12 8-9-10-11-12-13-14-15-16-17-18-19 mm

Art.	
1017	14 + 17 mm



238 x 174 x 50 mm

Impact socket wrench set
Juego de llaves de vaso impacto
Jogo de chaves impacto

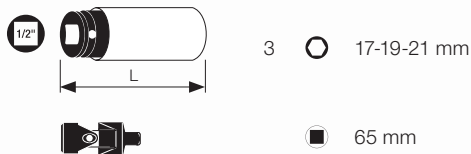


Art.
380005

Deep impact socket wrench set
 with plastic insert to protect the wheel nuts and plastic sleeve for aluminium rims

Juego de llaves de vaso largo impacto
 con inserto plástico para proteger las tuercas de rueda y manga plástica para llantas en aluminio

Jogo de chaves impacto
 com protecção plástica para proteger as porcas das rodas e manga plástica para as jantes de alumínio

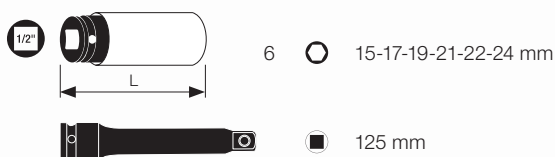


Art.	L mm
3083	85

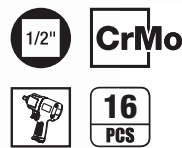
Deep impact socket wrench set
 with plastic insert to protect the wheel nuts and plastic sleeve for aluminium rims

Juego de llaves de vaso largo impacto
 con inserto plástico para proteger las tuercas de rueda y manga plástica para llantas en aluminio

Jogo de chaves impacto
 com protecção plástica para proteger as porcas das rodas e manga plástica para as jantes de alumínio



Art.	L mm
381005	85



↕ 270 x 185 x 58 mm

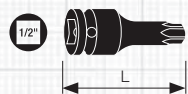


↕ 145 x 130 x 43 mm



↕ 212 x 151 x 48 mm

TX impact socket wrench set
Juego de llaves de vaso impactado TX
Jogo de chaves de caixa impacto TX



12 T10-T15-T20-T25-T27-T30
T40-T45-T50-T55-T60-T70

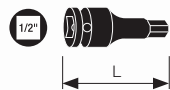
Art.	L mm
3084	78



**NEW
NUEVO
NOVO**

210 x 145 x 50 mm

Hexagonal impact socket wrench set
Juego de llaves de vaso impactado hexagonal
Jogo de chaves de caixa impacto sextavada



12 3-4-5-6-7-8-9-10
12-14-16-17 mm

Art.	L mm
3086	78




**NEW
NUEVO
NOVO**

210 x 145 x 50 mm

XZN impact socket wrench set
Juego de llaves de vaso impacto XZN
 Jogo de chaves de caixa impacto XZN



10  M4-M5-M6-M8-M9-M10
M12-M14-M16-M18

Art.	L mm
3087	78




**NEW
NUEVO
NOVO**



210 x 145 x 50 mm

RIBE impact socket wrench set
Juego de llaves de vaso impacto RIBE
 Jogo de chaves de caixa impacto RIBE



10  RM4-RM5-RM6-RM7-RM8-RM9
RM10-RM12-RM13-RM14

Art.	L mm
3089	78



**NEW
NUEVO
NOVO**



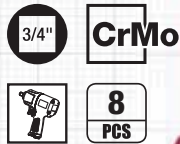
210 x 145 x 50 mm

Impact socket wrench set
Juego de llaves de vaso impacto
Jogo de chaves impacto

  8  26-27-29-30-32-35-36-38 mm

Art.

400005



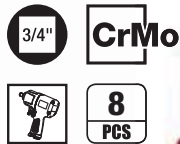
 465 x 186 x 78 mm

Deep impact socket wrench set
Juego de llaves de vaso largas impacto
Jogo de chaves longa impacto

  8  26-27-29-30-32-35-36-38 mm

Art.

400015



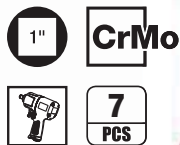
 465 x 186 x 78 mm

Deep impact socket wrench set
Juego de llaves de vaso largas impacto
Jogo de chaves longa impacto

  7  24-27-30-32-33-36-38 mm

Art.

500015



 465 x 186 x 78 mm