



# SafyBox BRES

## Double Insulation enclosure



IP66

IK10

Polyester monobloc enclosure Light Grey Colour RAL7035

## safybox raw material

Polyester Monobloc enclosures reinforced with fiber-glass

RAL-7035 colour UNE-EN-62208 (IEC 62208)

Stabilized polycarbonate lids ultraviolet resistant UV UNE-EN-60439-1 (IEC 60439)

Double isolation UNE-EN-60439-1 (IEC 60439-1)

High mechanical resistance IK-10 (20J) against impacts UNE-EN-50102 (IEC-62262)

With IP-66 protection against dust, water UNE-EN-60529 (IEC-60529)

Hot Thermal class F UNE-21305

Self Extinguishable 960° UNE-EN-60695-2 (IEC 60695)

Resistance against corrosion by chemical agents

Easy to machine and move because of its lightness

Self ventilation device system design

Reversible and modular cabinets

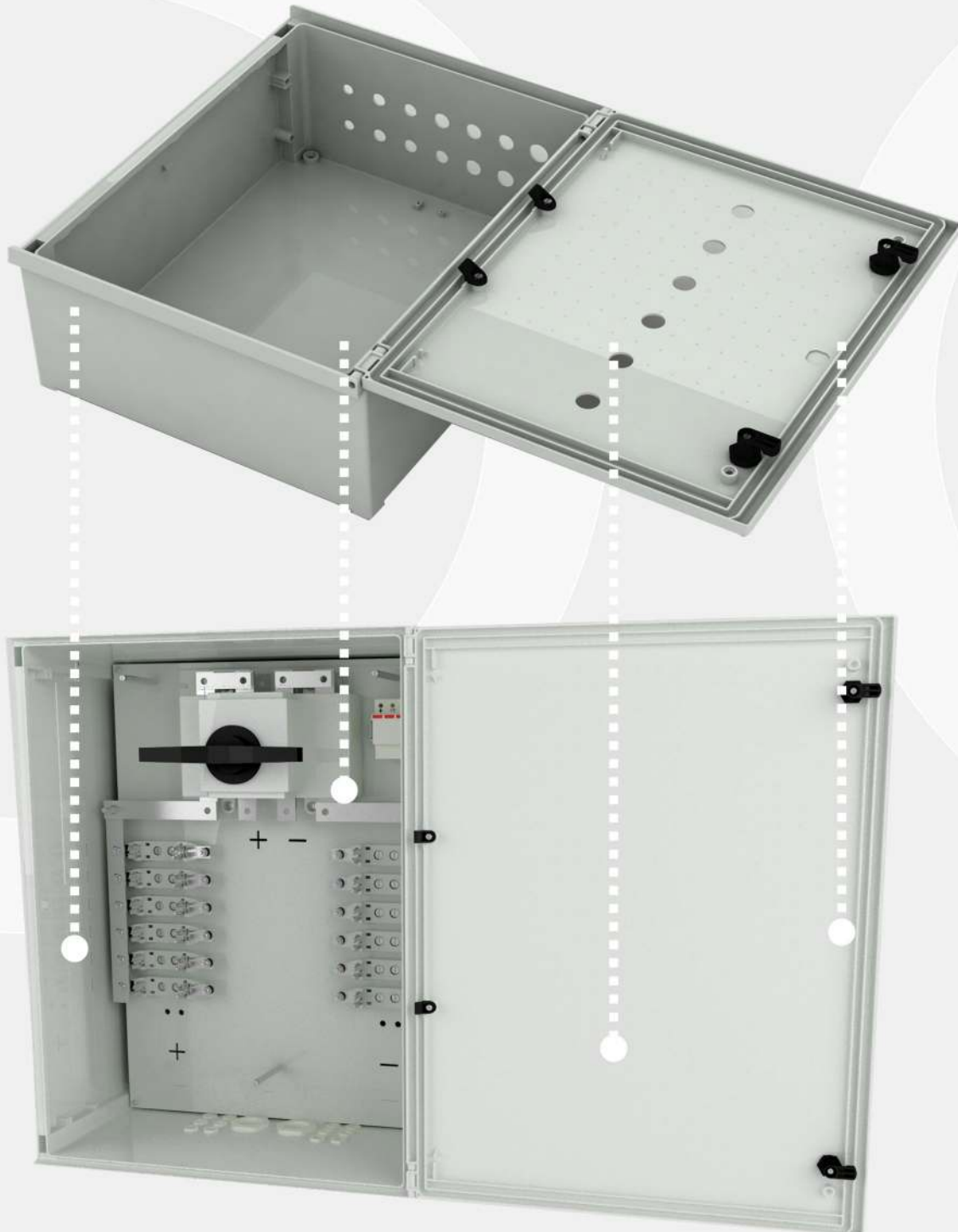
Non hygroscopic material, free Halogens

Extreme utilization temperatures: -30° +60°

Nominal intensity : 1,000A . Nominal voltage : 660V



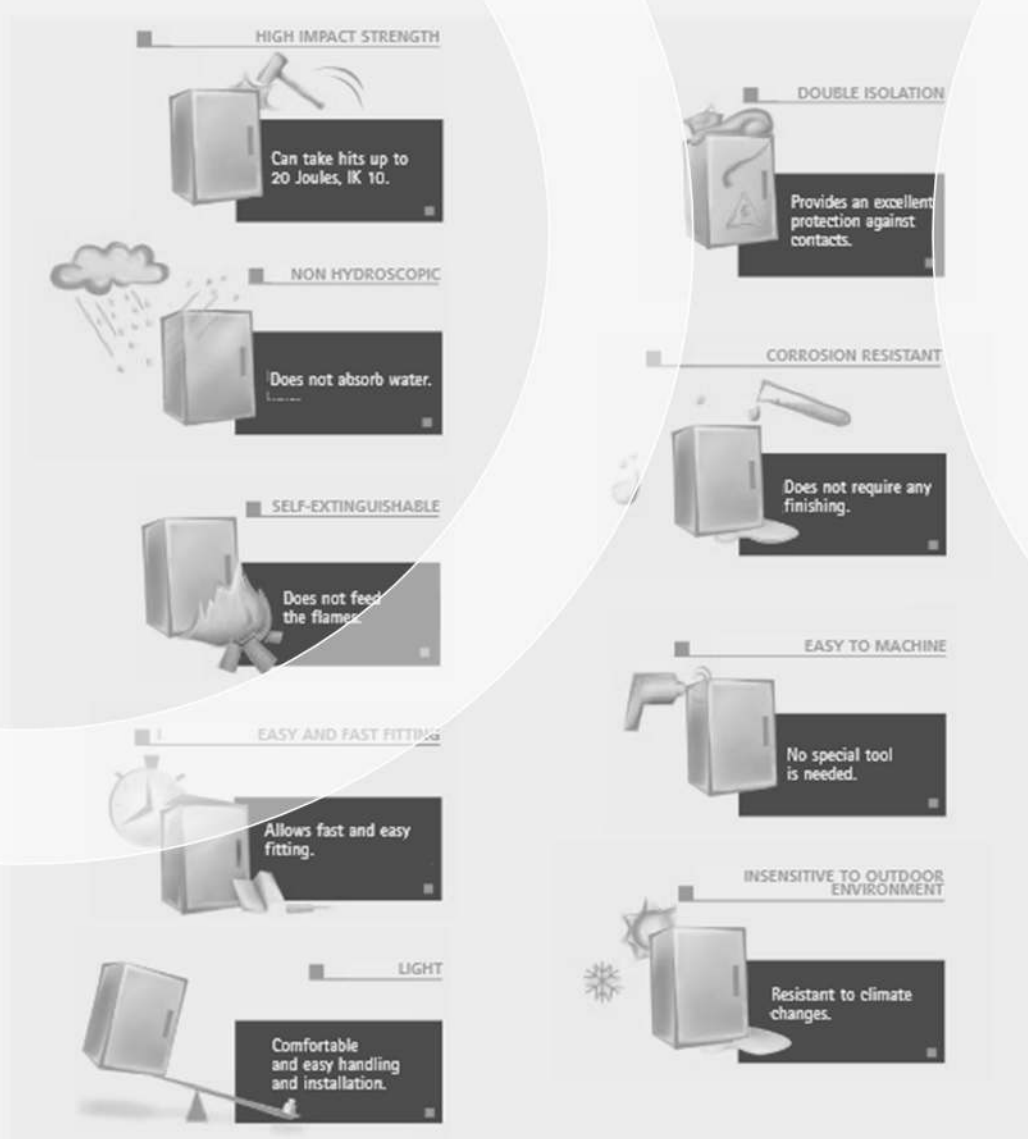
## safybox raw material



Customized bres for electricity, all kind of industrial applications

# Characteristics

## modular system IP66-IK10 ral-7035



## GRP monobloc non metallic parts

## customization division

Our range of enclosures can be customized to customer specific requirements.

We design your customized enclosure and provide full detailed 3D technical drawings.

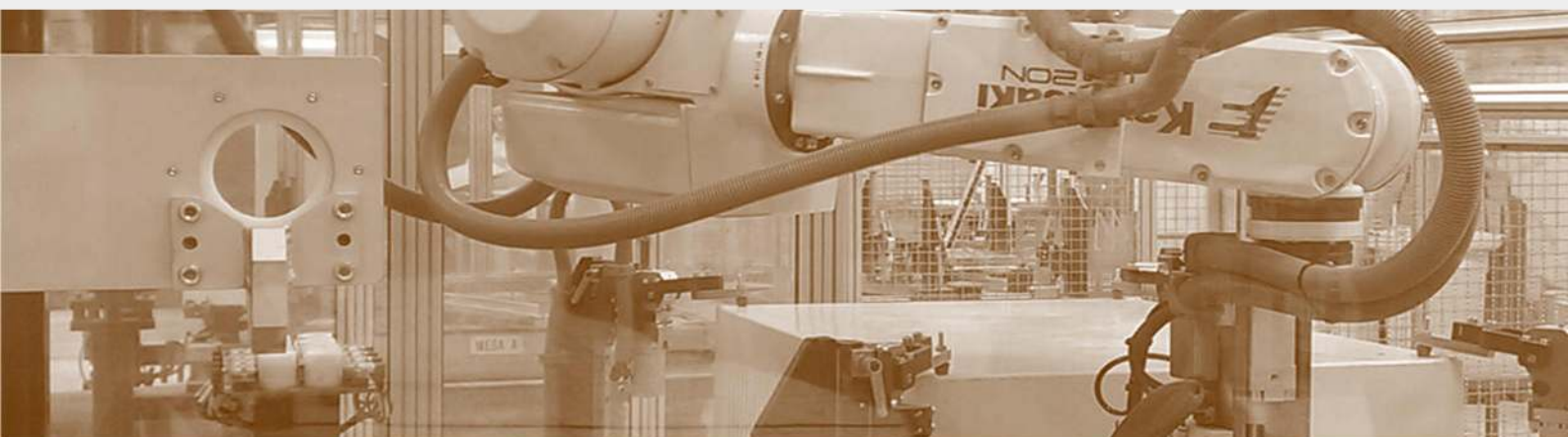
We customize your enclosure on our fully automated 3D machine tool sections, been able to achieve the most complex drilling and machining on any of the enclosure sides, back and door/cover.

From cable entries, pushbutton and display cutouts, to different openings for modular enclosures we offer this comprehensive range of electrical and mechanical services to reduce the cost and time of our customers.

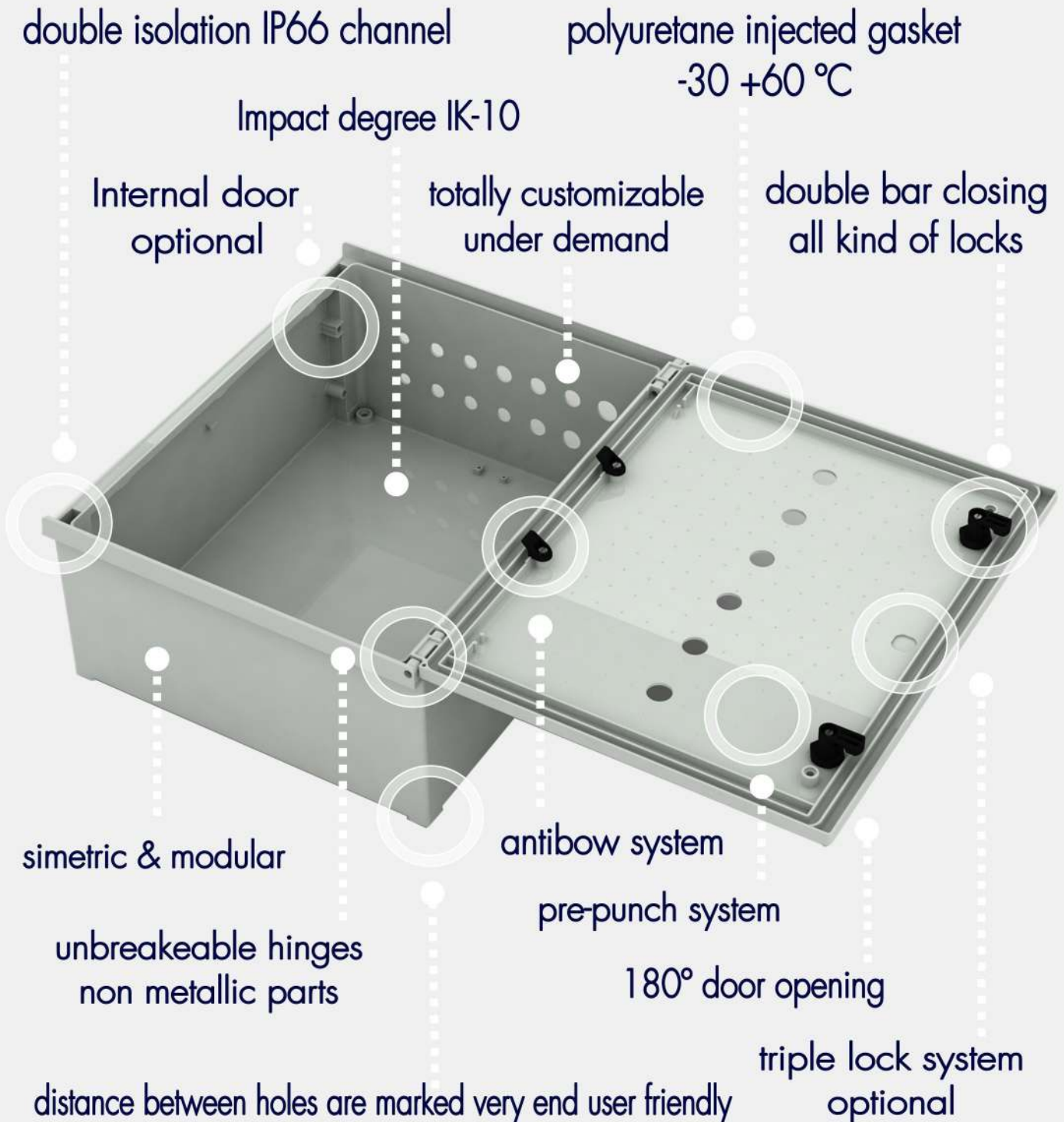
Our enclosure customized solutions are panel builder friendly, ready for direct assembling and avoiding manual machining and cut outs, most of the times inaccurate and inefficient.

In addition, due to our production structure, lead times on customized enclosures are similar to standard enclosures in most of the cases and on top of this there are no minimum order requirements, even a 1 off prototype unit can be ordered for customer approval.

Your project ready, quick, convenient, fully customized and budget driven.



## advantages BRES enclosure



## advantages BRES enclosure

- stop to corrosion
- fire retardant
- waterproof
- double isolation
- customizable
- end user friendly



reversible - left or right





## standard empty enclosure

Includes : Empty Enclosure, rawl plugs and screws for direct wall mounting, screws for mounting plate 4xm6x10, double bar lock and key (cdb-10)

CODE	DIMENSIONS	DESCRIPTION	EUROS	PACKING	WEIGHT
BRES-325	300x250x140	Polyester plain door	69,16	1	1,93
BRES-43	400x300x200	Polyester plain door	89,13	1	3,60
BRES-44	400x400x200	Polyester plain door	103,20	1	4,35
BRES-54	500x400x200	Polyester plain door	125,76	1	5,25
BRES-64	600x400x230	Polyester plain door	144,64	1	7,13
BRES-65	600x500x230	Polyester plain door	163,63	1	7,93
BRES-83	800x300x230	Polyester plain door	230,56	1	6,40
BRES-86	800x600x300	Polyester plain door	260,41	1	12,65
BRES-108	1000x800x300	Polyester plain door	492,07	1	19,50



9 different sizes from 300x250x140 to 1000x800x300 cms

## standard empty glazed

Includes : Empty Enclosure, rawl plugs and screws for direct wall mounting, screws for mounting plate 4xm6x10, double bar lock and key (cdb-10)

CODE	DIMENSIONS	DESCRIPTION	EUROS	PACKING	WEIGHT
BRES-325P	300x250x140	Enclosure glazed door	92,06	1	2,00
BRES-43P	400x300x200	Enclosure glazed door	123,17	1	3,57
BRES-44P	400x400x200	Enclosure glazed door	140,59	1	4,30
BRES-54P	500x400x200	Enclosure glazed door	182,29	1	5,21
BRES-64P	600x400x230	Enclosure glazed door	201,42	1	7,05
BRES-65P	600x500x230	Enclosure glazed door	218,31	1	7,56
BRES-83P	800X300X230	Enclosure glazed door	289,07	1	6,00
BRES-86P	800x600x300	Enclosure glazed door	365,88	1	12,15
BRES-108P	1000x800x300	Enclosure glazed door	619,40	1	18,90



Polycarbonate  
UV resistant

standard bres glazed door, posible to install other kind of inspection windows

## triple-lock plain

Includes : Empty Enclosure, rawl plugs and screws for direct wall mounting, screws for mounting plate 4x6x10, handle with key locking system

CODE	DIMENSIONS	DESCRIPTION	EUROS	PACKING	WEIGHT
BRES-43-3L	400x300x200	Plain door 3 point lock system	110,56	1	3,60
BRES-44-3L	400x400x200	Plain door 3 point lock system	124,62	1	4,35
BRES-54-3L	500x400x200	Plain door 3 point lock system	147,18	1	5,25
BRES-64-3L	600x400x230	Plain door 3 point lock system	180,35	1	7,13
BRES-65-3L	600x500x230	Plain door 3 point lock system	199,35	1	7,93
BRES-83-3L	800x300x230	Plain door 3 point lock system	266,28	1	6,40
BRES-86-3L	800x600x300	Plain door 3 point lock system	303,27	1	12,65
BRES-108-5L	1000x800x300	Plain door 5 point lock system	549,12	1	18,50



standard bres swing handle 3 lock + key , posible to install other locks

## triple-lock glazed

Includes : Empty Enclosure, rawl plugs and screws for direct wall mounting, screws for mounting plate 4x6x10, handle with key locking system.

CODE	DIMENSIONS	DESCRIPTION	EUROS	PACKING	WEIGHT
BRES-43P-3L	400x300x200	Glazed door 3 point locking system	144,60	1	2,00
BRES-44P-3L	400x400x200	Glazed door 3 point locking system	162,02	1	3,57
BRES-54P-3L	500x400x200	Glazed door 3 point locking system	203,72	1	4,30
BRES-64P-3L	600x400x230	Glazed door 3 point locking system	237,13	1	5,21
BRES-65P-3L	600x500x230	Glazed door 3 point locking system	254,02	1	7,05
BRES-83P-3L	800x300x230	Glazed door 3 point locking system	324,79	1	7,56
BRES-86P-3L	800x600x300	Glazed door 3 point locking system	408,73	1	6,00
BRES-108P-5L	1000x800x300	Glazed door 3 point locking system	659,03	1	18,90



Polycarbonate  
UV resistant

standard bres glazed door, posible to install other kind of inspection windows

## chassis for mcb's 18mm

Includes : chassis ready to install with screws

CODE	DIMENSIONS	DESCRIPTION	EUROS	PACKING	WEIGHT
CHM-325	270X226X110	MODULAR CHASSIS FLAT PACK-20MCB	44,41	1	1,15
CHM-43	365X278X125	MODULAR CHASSIS FLAT PACK-24MCB	55,90	1	1,22
CHM-44	365X378X125	MODULAR CHASSIS FLAT PACK-36MCB	59,01	1	1,50
CHM-54	465X378X125	MODULAR CHASSIS FLAT PACK-54MCB	75,05	1	1,80
CHM-64	565X378X125	MODULAR CHASSIS FLAT PACK-72MCB	102,92	1	2,32
CHM-65	565X478X125	MODULAR CHASSIS FLAT PACK-96MCB	118,70	1	2,62
CHM-83	765X278X125	MODULAR CHASSIS FLAT PACK-70MCB	121,17	1	2,22
CHM-86	765X578X125	MODULAR CHASSIS FLAT PACK-145MCB	130,87	1	4,37



Standard chassis for BRES enclosure, creating other chassis under demand

## chassis for mcb's 18mm

Includes : chassis ready to install with screws

CODE	DIMENSIONS	DESCRIPTION	EUROS	PACKING	WEIGHT
INR-511		Brass Insert 5x11	0,40	1	
RCO-316		Connection terminal (3x16 + 4x10 mm <sup>2</sup> )	3,50	1	
RCO-416		Connection terminal (4x16 + 9x10 mm <sup>2</sup> )	5,30	1	
TEX-18		Removable blanking 18mm lid	0,59	1	
SUP-23		Din elevator - 1 unit	3,00	1	
				1	



Rco-316 & rco-416



Sup-23



Tex-18

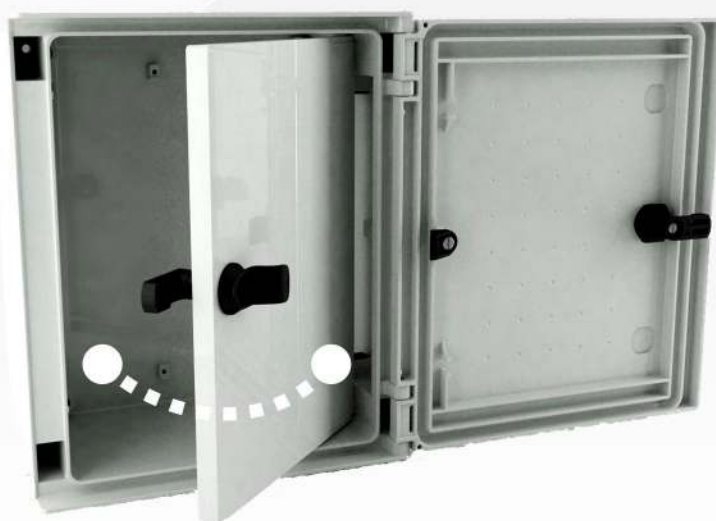


Kit chassis RAL9020

## internal door kit

Includes : unassembled kit with Standard internal door +1 double bar lock system + handle + inr-511 inserts + plastic hinges and pins

CODE	DIMENSIONS	DESCRIPTION	EUROS	PACKING	WEIGHT
PUI-43	380x280x17	Internal door for bres-43	56,90	1	0,5
PUI-44	380x380x17	Internal door for bres-44	63,87	1	0,6
PUI-54	480x380x17	Internal door for bres-54	68,58	1	0,7
PUI-64	580x380x17	Internal door for bres-64	72,00	1	0,8
PUI-65	580x480x17	Internal door for bres-65	75,48	1	0,9
PUI-83	780x280x17	Internal door for bres-83	90,98	1	0,6
PUI-86	780x580x17	Internal door for bres-86	103,43	1	2
PUI-108	980x780x17	Internal door for bres108	246,48	1	3



polyester internal door right opening, optional you can change the lock

## pedestal-socles

Includes : pedestal for BRES range, 3 sizes, customizable with keylock

CODE	DIMENSIONS	DESCRIPTION	EUROS	PACKING	WEIGHT
F0-44	500x365x170	Pedestal for BRES-44	248,16	1	6,1
F1-44	750x365x170	Pedestal for BRES-44	271,10	1	7,9
F2-44	1000x365x170	Pedestal for BRES-44	294,16	1	8,85
F0-54	500x365x170	Pedestal for BRES-54	248,16	1	6,1
F1-54	750x365x170	Pedestal for BRES-54	271,26	1	7,9
F2-54	1000x365x170	Pedestal for BRES-54	294,16	1	8,85
F0-64	500x365x200	Pedestal for BRES-64	273,10	1	6,15
F1-64	750x365x200	Pedestal for BRES-64	295,16	1	7,95
F2-64	1000x365x200	Pedestal for BRES-64	316,40	1	8,9
F0-65	500x465x200	Pedestal for BRES-65	291,40	1	7,2
F1-65	750x465x200	Pedestal for BRES-65	319,20	1	8,9
F2-65	1000x465x200	Pedestal for BRES-65	329,00	1	9,9
F0-86	500x500x300	Pedestal for BRES-86	322,10	1	8,25
F1-86	750x500x300	Pedestal for BRES-86	349,90	1	10,1
F2-86	1000x500x300	Pedestal for BRES-86	356,10	1	11



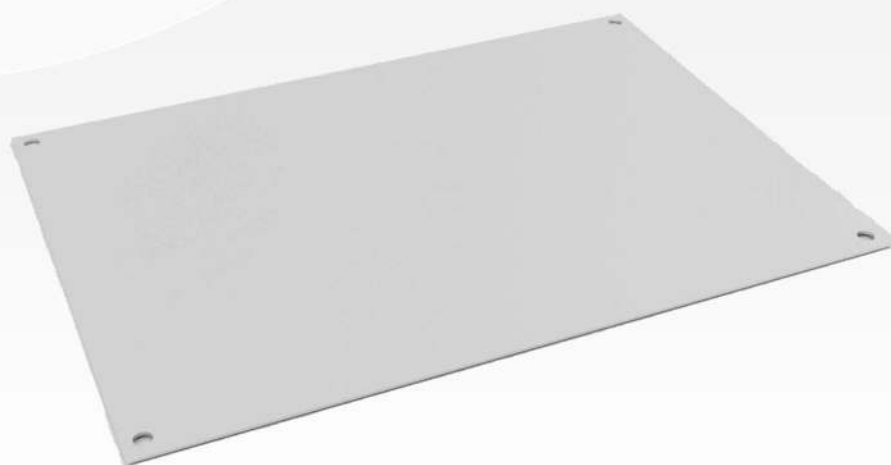
we can supply totally mounted, assembled or in kit to reduce transport cost



## polyester baseplate

Includes : polyester base plate 4mm, we can offer up to 10mm under demand  
Not included screws m6x10

CODE	DIMENSIONS	DESCRIPTION	EUROS	PACKING	WEIGHT
PBP-325	262x198x40	mounting plate BRES325	7,06	5	0,38
PBP-43	360x248x40	mounting plate BRES43	11,82	5	0,59
PBP-44	460x348x40	mounting plate BRES44	16,87	4	0,87
PBP-54	560x348x40	mounting plate BRES54	17,93	4	1,09
PBP-64	558x348x40	mounting plate BRES64	26,65	4	1,30
PBP-65	558x448x40	mounting plate BRES65	30,81	4	1,75
PBP-83	756x248x40	mounting plate BRES83	33,35	2	1,46
PBP-86	756x548x40	mounting plate BRES86	56,59	2	2,78

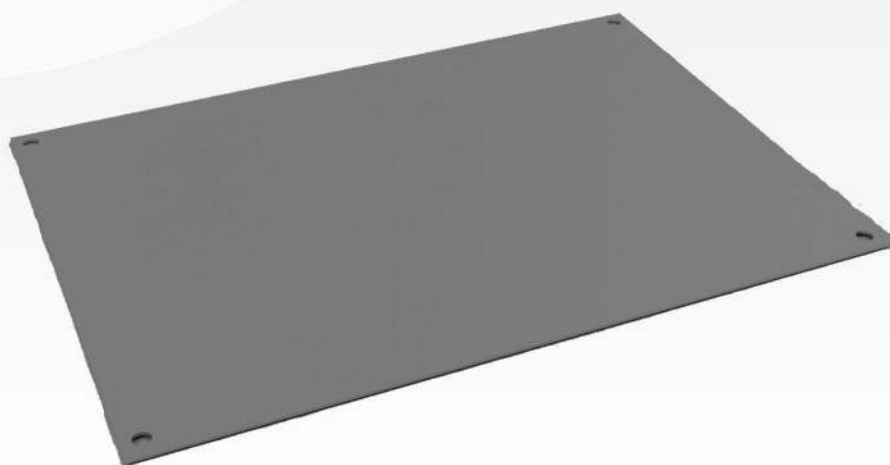


polyester noearthing base plate, ready to fix inside the bres cabinet

## metal base plate

Includes : Galvanized steel mounting plate 2mm Not included screws m6x10

CODE	DIMENSIONS	DESCRIPTION	EUROS	PACKING	WEIGHT
PBM-325	262x198x20	mounting plate BRES325	16,45	5	0,79
PBM-43	360x248x20	mounting plate BRES43	18,86	5	1,30
PBM-44	460x348x20	mounting plate BRES44	25,96	4	1,90
PBM-54	560x348x20	mounting plate BRES54	26,93	4	2,20
PBM-64	558x348x20	mounting plate BRES64	42,07	4	3,00
PBM-65	558x448x20	mounting plate BRES65	47,16	4	3,60
PBM-83	756x248x20	mounting plate BRES83	49,42	2	3,26
PBM-86	756x548x20	mounting plate BRES86	61,45	2	6,40



Galvanized steel plate, ready to fix inside the bres cabinet

## locks & padlocks

Includes : all kind of locks, totally customized. Seasable (Orly Polyamide locks)

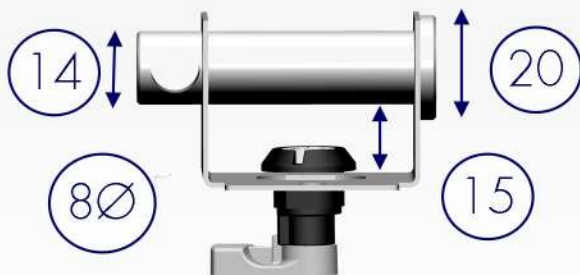
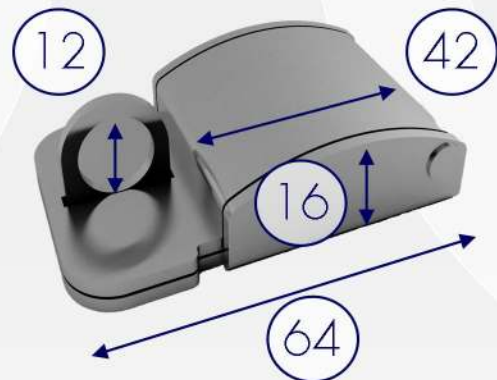
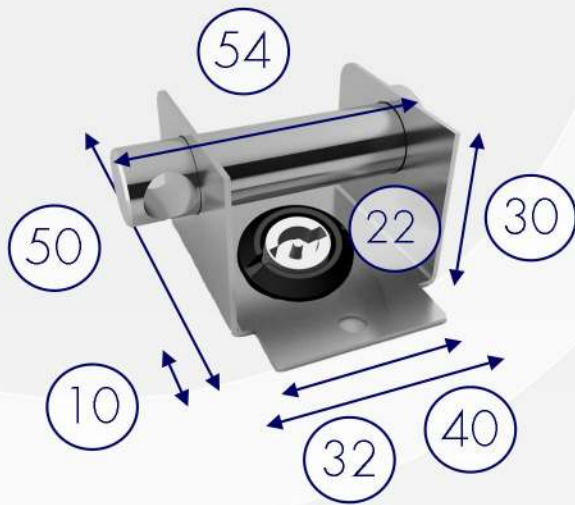
CODE	DIMENSIONS	DESCRIPTION	EUROS	PACKING	WEIGHT
CCU-08	1	8mm Square lock	8,05	1	0,03
CDB-10	2	Double bar closing system lock	8,05	1	0,03
CTR-11	3	11 mm triangular lock	8,05	1	0,03
Tpac-apm	4	Allen lock	11,05	1	0,05
Tpac-apm	5	Scuare female lock	11,05	1	0,05
Tpci-apm	6	Hexagon female lock	11,05	1	0,05



# locks & padlocks

Includes : padlocks for 22mm diam

CODE	DIMENSIONS	DESCRIPTION	EUROS	PACKING	WEIGHT
CBC-13		Lock by blocking padlock bichrome	7,56	1	0,5
CBC-13-inox		Lock by blocking padlock inox	32,17	1	0,5



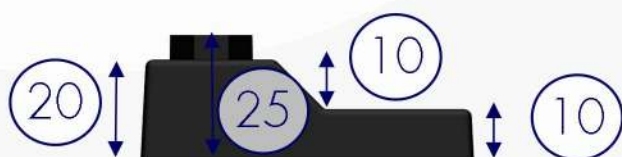
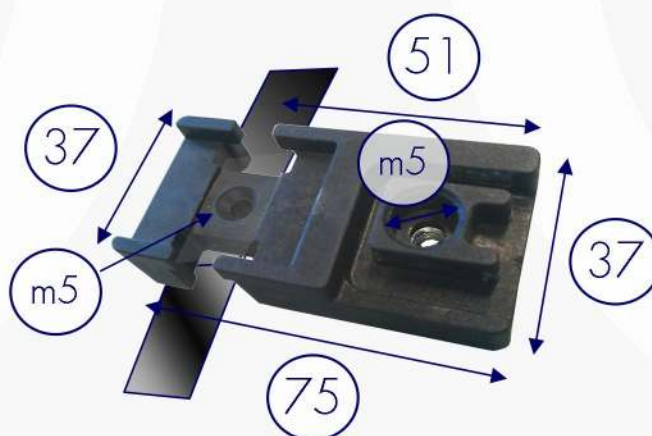
Cbc-13 galvanizad . Padlock not in-

Cbc-13 inox . Padlock not included

## fastening lungs

Includes :mounting brackets made of Polyamide 6.6,  
4 units per bag, including screws. They stand up to 200 kgs

CODE	DIMENSIONS	DESCRIPTION	EUROS	PACKING	WEIGHT
OFM-14		wall fastening lug	5,55	4	0,04
OFM-14-F		fastening lug for pole	24,57	4	0,08
OFM-14-B		wall fastening lug -back	6,55	4	0,04



Orientable Direct wall mounting



Pole mounting brackets

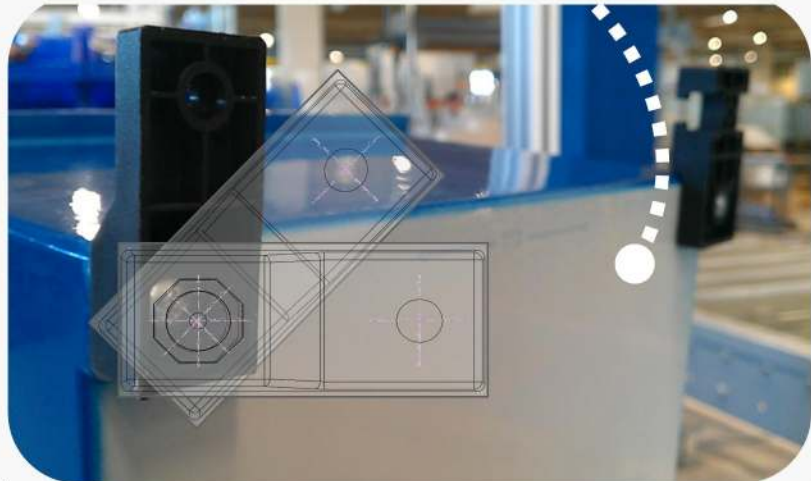
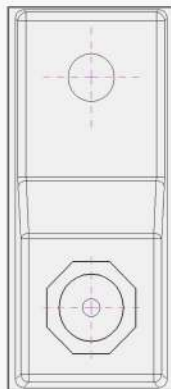
## fastening lugs



ofm-14-back  
drilling 8mm diam  
+ 4 special screws for polyester

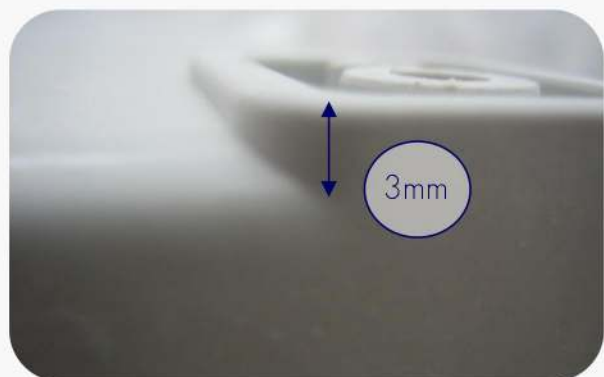


Orientable 45°-90°-180°  
wall mounting brackets



the use of wall mounting brackets  
is an option for the end user,  
safybox BRES has been specially  
designed to be mounted  
without them

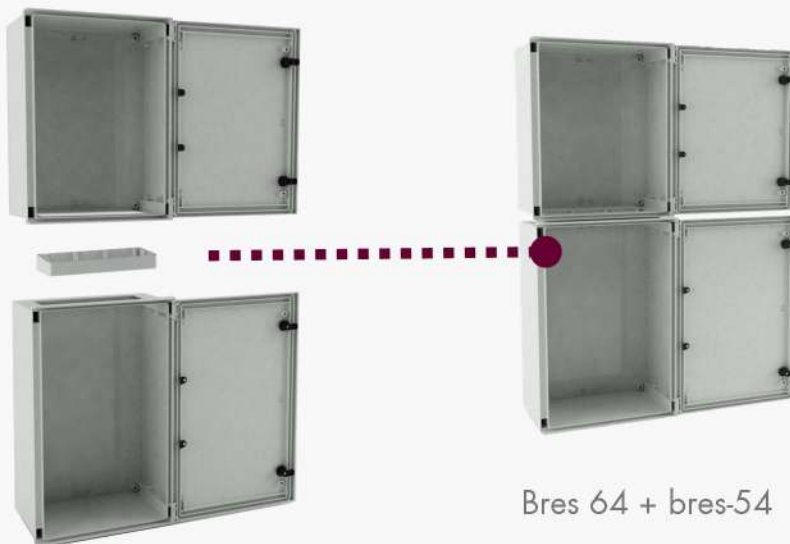
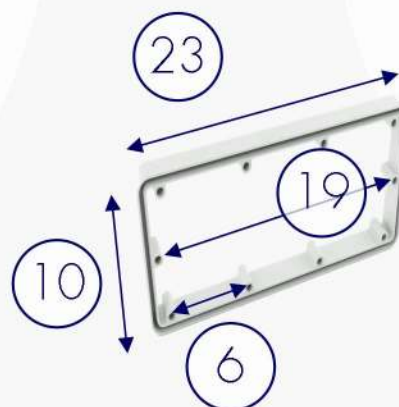
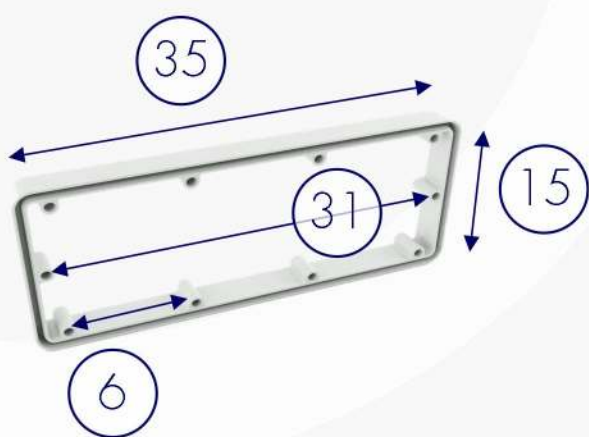
In each corner we have installed  
small towers to separate 3mm  
from the wall, water cross behind  
cos it is not totally flat, this gets  
the advantage to avoid extra  
wall mounting brackets and cost



## connecting flanges

Includes :connecting flange + plastic screws m8x50  
Maintaining IP66 even fixing cabinets

CODE	DIMENSIONS	DESCRIPTION	EUROS	PACKING	WEIGHT
UA-230x100		Connecting flange for bres-325&43	8,66	1	
UA-350X150		Connecting flange for rest BRES	10,28	1	
UA-350X150-B		Connecting flange for rest BRES	10,28	1	



Bres 64 + bres-54

## connecting flanges



UA-230x100



UA-350x150



UA-350x150-B  
(vertical+horizontal)





## ventilation - keys

Includes :connecting flange + plastic screws m8x50  
Maintaining IP66 even fixing cabinets

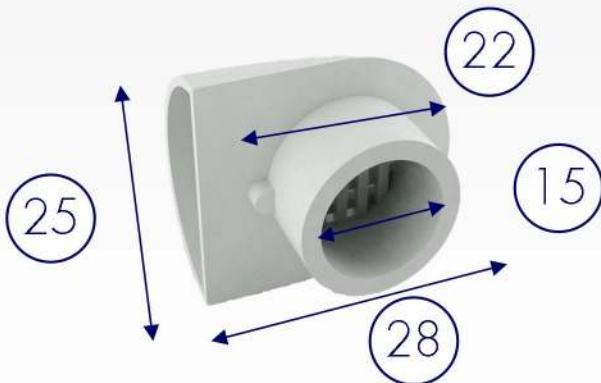
CODE	DIMENSIONS	DESCRIPTION	EUROS	PACKING	WEIGHT
LLD-10		Double bar key	1,00	1	0,10
LLT-11		Triangular key-11MM	1,00	1	0,10
LLC-08		SQUARE KEY 8MM	1,00	1	0,10
CML-12		Lock and key	9,69	1	0,50
DV-M		Small ventilation device	0,88	1	0,10
DV-G		Big ventilation device	3,08	1	0,10



lld-10



cml-12 (1333)



dv-m



dv-g

## movely support

Includes : raiser + 2nuts. 4 units per bag

CODE	DIMENSIONS	DESCRIPTION	EUROS	PACKING	WEIGHT
SDP-200	for bres-325-43-44	Movely support	23,34	1	0,5
SDP-230	for bres-54-64-65-83	Movely support	23,81	1	0,6
SDP-300	for bres-86	Movely support	24,36	1	0,7
EJB-BRES	Hinge for BRES	Hinge for BRES	0,10	1	0,01



sdp—movely sup-

unbreakable hinges  
non metallic parts



safety  
by  
designing

**URIARTE SAFYBOX**

[www.safybox.com](http://www.safybox.com)



Uriarte Enclosures Group  
spain - poland - portugal - equatorial guinea - uk