



# SafyBox CA

## Double Insulation Boxes

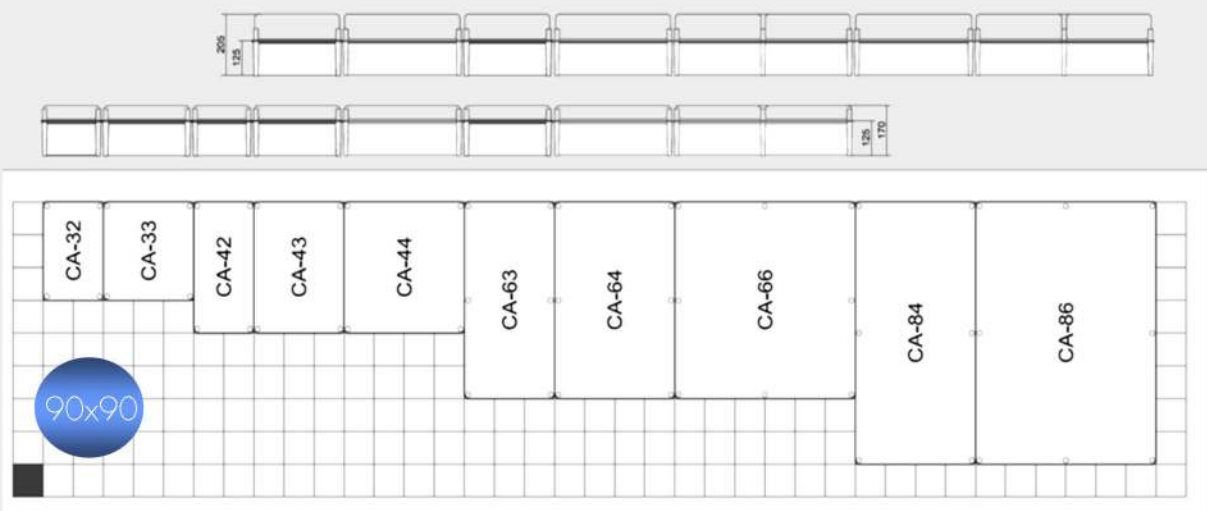


Coupling flanges to connect enclosures between each other to build modular panels

# Characteristics

## modular system 180-270-360-540-720

- HIGH IMPACT STRENGTH**  
Can take hits up to 20 Joules, IK 10.
- NON HYDROSCOPIC**  
Does not absorb water.
- SELF-EXTINGUISHABLE**  
Does not feed the flames.
- EASY AND FAST FITTING**  
Allows fast and easy fitting.
- LIGHT**  
Comfortable and easy handling and installation.
- DOUBLE ISOLATION**  
Provides an excellent protection against contacts.
- CORROSION RESISTANT**  
Does not require any finishing.
- EASY TO MACHINE**  
No special tool is needed.
- INSENSITIVE TO OUTDOOR ENVIRONMENT**  
Resistant to climate changes.



## safybox raw material

Polyester Monobloc enclosures reinforced with fiber-glass

RAL-7035 colour UNE-EN-62208 (IEC 62208)

Stabilized polycarbonate lids ultraviolet resistant UV UNE-EN-60439-1 (IEC 60439)

Double isolation UNE-EN-60439-1 (IEC 60439-1)

High mechanical resistance IK-10 (20J) against impacts UNE-EN-50102 (IEC-62262)

With IP-66 protection against dust, water UNE-EN-60529 (IEC-60529)

Hot Thermal class F UNE-21305

Self Extinguishable 960° UNE-EN-60695-2 (IEC 60695)

Resistance against corrosion by chemical agents

Easy to machine and move because of its lightness

Self ventilation device system design

Reversible and modular cabinets

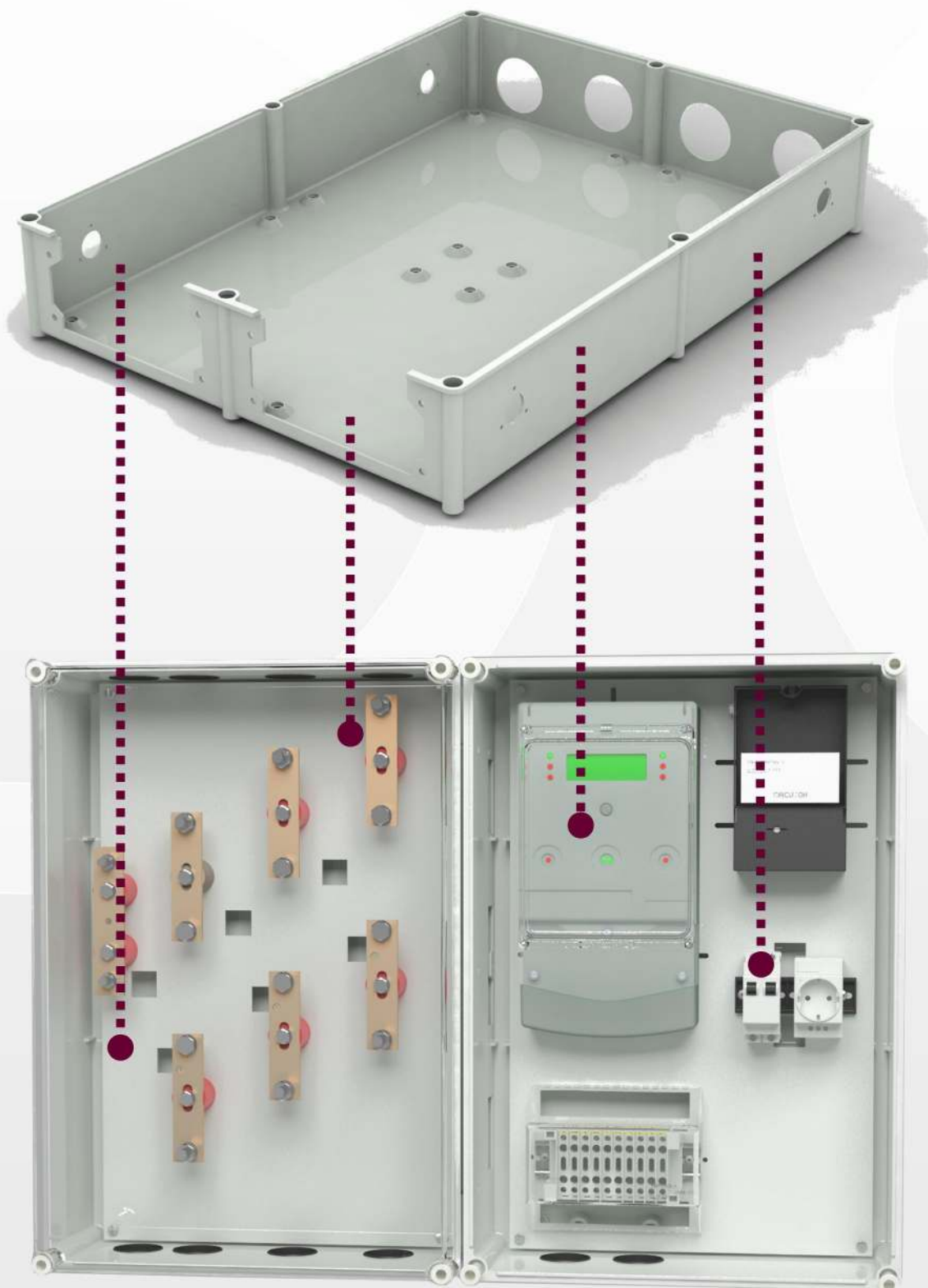
Non hygroscopic material, free Halogens

Extreme utilization temperatures: -30° +60°

Nominal intensity : 1,000A . Nominal voltage : 660V



applications indoor outdoor





## customization division

Our range of enclosures can be customized to customer specific requirements.

We design your customized enclosure and provide full detailed 3D technical drawings.

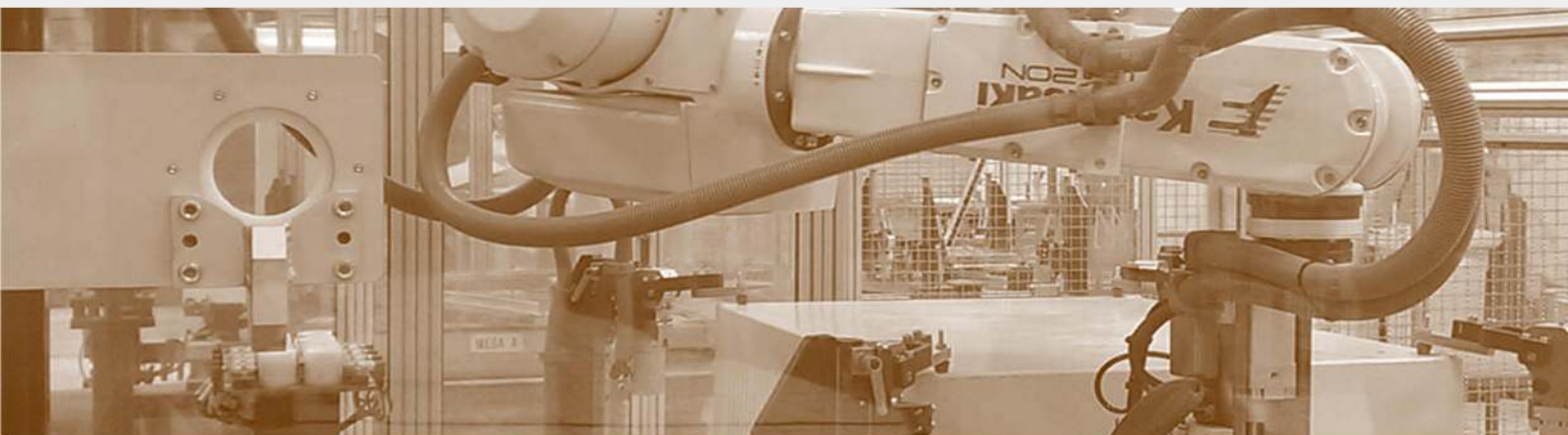
We customize your enclosure on our fully automated 3D machine tool sections, been able to achieve the most complex drilling and machining on any of the enclosure sides, back and door/cover.

From cable entries, pushbutton and display cutouts, to different openings for modular enclosures we offer this comprehensive range of electrical and mechanical services to reduce the cost and time of our customers.

Our enclosure customized solutions are panel builder friendly, ready for direct assembling and avoiding manual machining and cut outs, most of the times inaccurate and inefficient.

In addition, due to our production structure, lead times on customized enclosures are similar to standard enclosures in most of the cases and on top of this there are no minimum order requirements, even a 1 off prototype unit can be ordered for customer approval.

Your project ready, quick, convenient, fully customized and budget driven.



## customization under demand

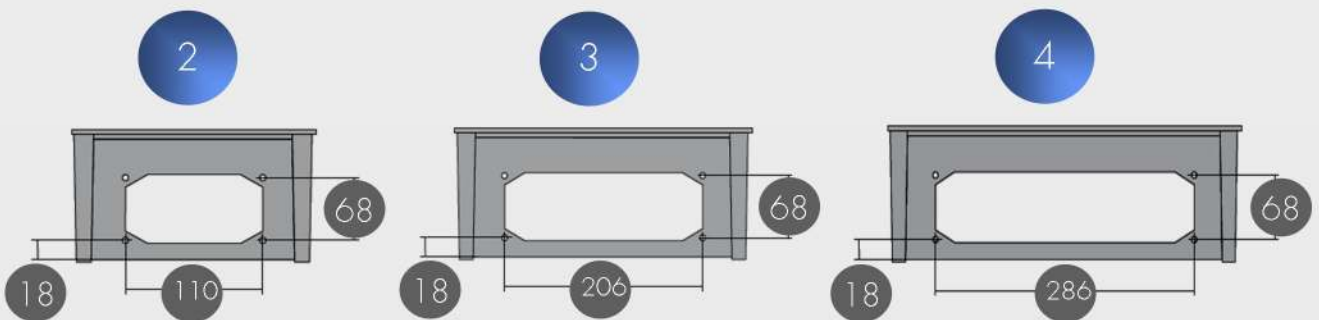


We fully customize the enclosures as per your requirements : Cutouts, windows...



Double Insulation Polyester Boxes.  
Fully Customization. Light Grey colour RAL7035.  
Self-extinguishing and UV stabilized

## standard openings



## box transparent cover

Includes : Polyamide rear back panel • UV stabilized polycarbonate cover with gasket • bag with ftt-4000 cover screws • M6x10 screws for back plate fixing

CODE	DIMENSIONS	DESCRIPTION	EUROS	PACK	KGS
CA1515	135x135x130	TRANSPARENT	15,71	8	0,36
CA-215	180x135x130	TRANSPARENT	17,69	8	0,41
CA-220	180x180x130	TRANSPARENT	19,15	6	0,49
CA-315	270x135x130	TRANSPARENT	20,09	4	0,53





## box opaque cover

Includes : Polyamide rear back panel • UV stabilized polycarbonate cover with gasket • bag with tft-4000 cover screws • M6x10 screws for back plate fixing

CODE	DIMENSIONS	DESCRIPTION	EUROS	PACK	KGS
CA-1515s	135x135x130	OPAQUE LID	15,71	8	0,36
CA-215s	180x135x130	OPAQUE LID	17,69	8	0,41
CA-220s	180x180x130	OPAQUE LID	19,15	6	0,49
CA-315s	270x135x130	OPAQUE LID	20,09	4	0,53



## box transparent cover

Includes : Polyester rear panel – UV stabilized polycarbonate cover with gasket  
– bag with ftt-400 cover screws – M6x10 screws for back plate fixing

CODE	DIMENSIONS	DESCRIPTION	EUROS	PACK	KGS
CA-32	270x180x170	TRANSPARENT LID	25,82	4	1,21
CA-33	270x270x170	TRANSPARENT LID	31,16	4	1,53
CA-42	360x180x170	TRANSPARENT LID	28,02	4	1,32
CA-43	360x270x170	TRANSPARENT LID	36,36	2	1,77
CA-43a	360x270x205	HIGH TRANSPARENT LID	40,21	4	1,91
CA-44	360x360x170	TRANSPARENT LID	47,16	2	2,31
CA-44a	360x360x205	HIGH TRANSPARENT LID	50,34	2	2,42
CA-63	540x270x170	TRANSPARENT LID	58,17	2	2,78
CA-63a	540x270x205	HIGH TRANSPARENT LID	66,00	2	2,95
CA-64	540x360x170	TRANSPARENT LID	75,14	1	4,33
CA-64a	540x360x205	HIGH TRANSPARENT LID	81,64	2	4,06
CA-66	540x540x170	TRANSPARENT LID	112,05	1	5,57
CA-66a	540x540x205	HIGH TRANSPARENT LID	121,35	1	5,79
CA-84a	720x360x205	HIGH TRANSPARENT LID	103,67	1	5,49
CA-86a	720x540x205	HIGH TRANSPARENT LID	179,76	1	7,57



## box opaque cover

Includes : Polyamide rear back panel • UV stabilized polycarbonate cover with gasket • bag with tft-4000 cover screws • M6x10 screws for back plate fixing

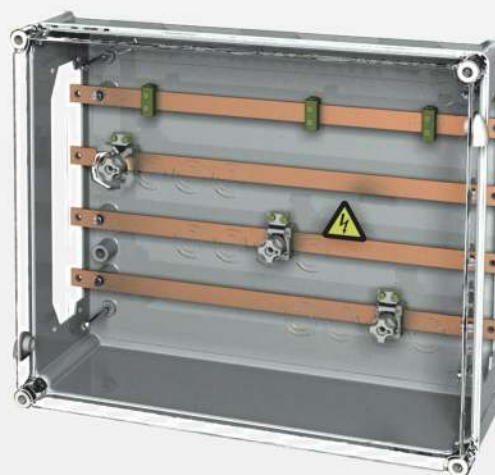
CODE	DIMENSIONS	DESCRIPTION	EUROS	PACK	KGS
CA-32s	270x180x170	OPAQUE LID	25,82	4	1,21
CA-33s	270x270x170	OPAQUE LID	31,16	4	1,53
CA-42s	360x180x170	OPAQUE LID	28,02	4	1,32
CA-43s	360x270x170	OPAQUE LID	36,36	2	1,77
CA-43as	360x270x205	HIGH OPAQUE LID	40,21	4	1,91
CA-44s	360x360x170	OPAQUE LID	47,16	2	2,31
CA-44as	360x360x205	HIGH OPAQUE LID	50,34	2	2,42
CA-63s	540x270x170	OPAQUE LID	58,17	2	2,78
CA-63as	540x270x205	HIGH OPAQUE LID	66,00	2	2,95
CA-64s	540x360x170	OPAQUE LID	75,14	1	4,33
CA-64as	540x360x205	HIGH OPAQUE LID	81,64	2	4,06
CA-66s	540x540x170	OPAQUE LID	112,05	1	5,57
CA-66as	540x540x205	HIGH OPAQUE LID	121,35	1	5,79
CA-84as	720x360x205	HIGH OPAQUE LID	103,67	1	5,49
CA-86as	720x540x205	HIGH OPAQUE LID	179,76	1	7,57



## IP-43 busbar boxes

Includes : Polyester rear panel – UV stabilized Transparent polycarbonate cover with gasket – bag with tft-400 cover screws (opaque under demand)

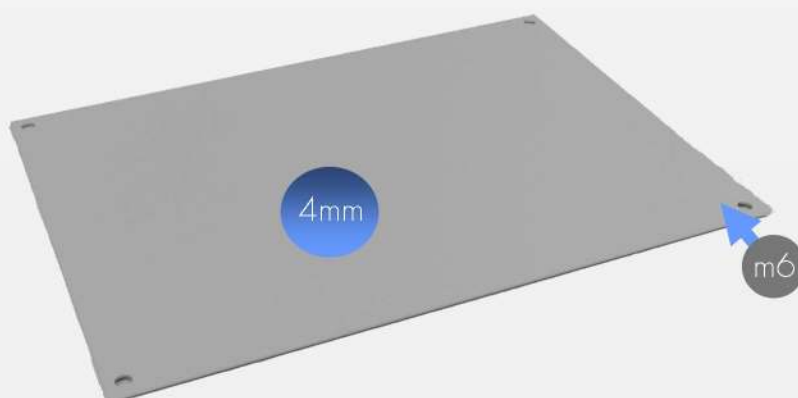
CODE	DIMENSIONS	DESCRIPTION	EUROS	PACK	KGS
CA-4829	480X290X195	SPECIAL FOR CU-BARRS	45,46	1	2,79
CA-4840	480X405X195	SPECIAL FOR CU-BARRS	52,42	1	3,62
CA-5840	580X405X195	SPECIAL FOR CU-BARRS	66,84	1	4,29
CA-6329	630X290X195	SPECIAL FOR CU-BARRS	61,81	1	4,72
CA-6340	630X405X195	SPECIAL FOR CU-BARRS	71,43	1	3,32



## polyester base plate

Polyester base plate 4mm, screws M6x10 not included. Under demand up to 10mm

CODE	DESCRIPTION	EUROS	KGS
PP-1515	POLYESTER BASE PLATE	1,75	0,07
PP-215	POLYESTER BASE PLATE	2,11	0,08
PP-220	POLYESTER BASE PLATE	2,47	0,11
PP-315	POLYESTER BASE PLATE	2,84	0,12
PP-32	POLYESTER BASE PLATE	3,80	0,16
PP-33	POLYESTER BASE PLATE	5,47	0,26
PP-42	POLYESTER BASE PLATE	5,87	0,21
PP-43	POLYESTER BASE PLATE	6,66	0,48
PP-44	POLYESTER BASE PLATE	8,99	0,71
PP-63	POLYESTER BASE PLATE	9,31	0,81
PP-64	POLYESTER BASE PLATE	13,77	0,88
PP-66	POLYESTER BASE PLATE	23,94	1,64
PP-84	POLYESTER BASE PLATE	21,14	1,51
PP-86	POLYESTER BASE PLATE	33,49	2,29





## PC transparent UV lid

Gasket included, no fixing screws

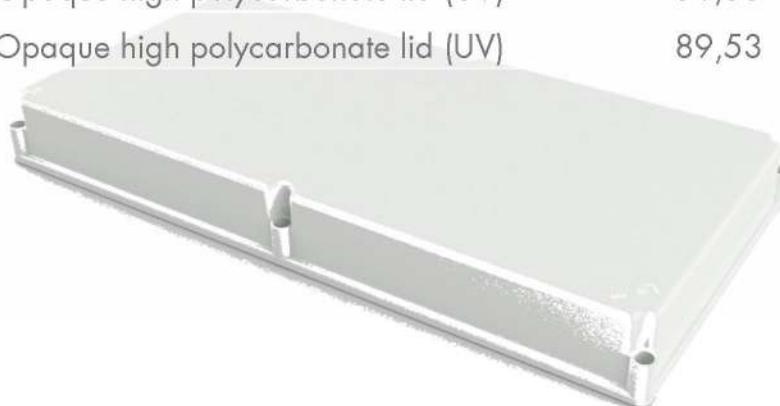
CODE	DESCRIPTION	EUROS	KGS
TT-1515	Transparent polycarbonate lid (UV)	4,76	0,09
TT-215	Transparent polycarbonate lid (UV)	5,80	0,12
TT-220	Transparent polycarbonate lid (UV)	6,05	0,15
TT-315	Transparent polycarbonate lid (UV)	6,38	0,17
TT-32	Transparent polycarbonate lid (UV)	8,80	0,29
TT-33	Transparent polycarbonate lid (UV)	10,56	0,34
TT-42	Transparent polycarbonate lid (UV)	11,26	0,33
TT-43	Transparent polycarbonate lid (UV)	12,27	0,44
TT-43a	Transparent high polycarbonate lid (UV)	15,67	0,54
TT-44	Transparent polycarbonate lid (UV)	17,51	0,64
TT-44a	Transparent high polycarbonate lid (UV)	20,77	0,79
TT-63	Transparent polycarbonate lid (UV)	23,92	0,87
TT-63a	Transparent high polycarbonate lid (UV)	30,29	0,97
TT-64	Transparent polycarbonate lid (UV)	32,02	1,19
TT-64a	Transparent high polycarbonate lid (UV)	37,70	1,37
TT-66	Transparent polycarbonate lid (UV)	46,42	1,70
TT-66a	Transparent high polycarbonate lid (UV)	53,41	1,85
TT-84a	Transparent high polycarbonate lid (UV)	51,55	1,60
TT-86a	Transparent high polycarbonate lid (UV)	89,53	2,65



## PC opaque UV lid

Gasket included, no fixing screws

CODE	DESCRIPTION	EUROS	KGS
TO-1515	Opaque polycarbonate lid (UV)	4,76	0,09
TO-215	Opaque polycarbonate lid (UV)	5,80	0,12
TO-220	Opaque polycarbonate lid (UV)	6,05	0,15
TO-315	Opaque polycarbonate lid (UV)	6,38	0,17
TO-32	Opaque polycarbonate lid (UV)	8,80	0,29
TO-33	Opaque polycarbonate lid (UV)	10,56	0,34
TO-42	Opaque polycarbonate lid (UV)	11,26	0,33
TO-43	Opaque polycarbonate lid (UV)	12,27	0,44
TO-43a	Opaque high polycarbonate lid (UV)	15,67	0,54
TO-44	Opaque polycarbonate lid (UV)	17,51	0,64
TO-44a	Opaque high polycarbonate lid (UV)	20,77	0,79
TO-63	Opaque polycarbonate lid (UV)	23,92	0,87
TO-63a	Opaque high polycarbonate lid (UV)	30,29	0,97
TO-64	Opaque polycarbonate lid (UV)	32,02	1,19
TO-64a	Opaque high polycarbonate lid (UV)	37,70	1,37
TO-66	Opaque polycarbonate lid (UV)	46,42	1,70
TO-66a	Opaque high polycarbonate lid (UV)	53,41	1,85
TO-84a	Opaque high polycarbonate lid (UV)	51,55	1,60
TO-86a	Opaque high polycarbonate lid (UV)	89,53	2,65



## end-cover + connecting flange

Gasket included, screws included. Standard openings under demand

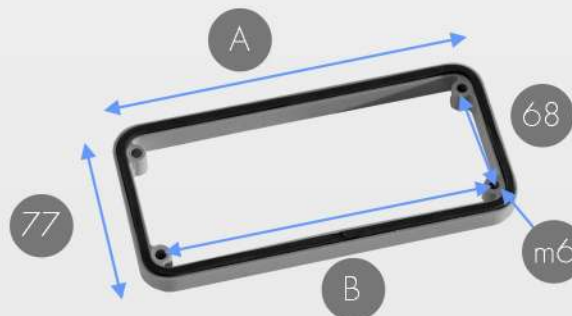
CODE	DESCRIPTION	EUROS	KGS
TC-02	blind lid full open2	8,43	0,14
TC-03	blind lid full open3	9,30	0,24
TC-04	blind lid full open4	11,37	0,25

	A	B
tc-02	133	106
tc-03	223	206
tc-04	313	286



CODE	DESCRIPTION	EUROS	KGS
BA-20	Connecting flange full items open2	7,20	0,12
BA-30	Connecting flange full items open3	8,17	0,15
BA-40	Connecting flange full items open4	10,09	0,19

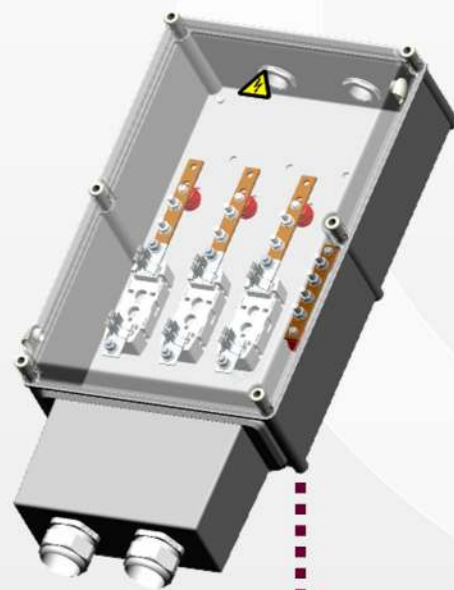
	A	B
ba-20	108	106
ba-30	198	206
ba-40	288	286



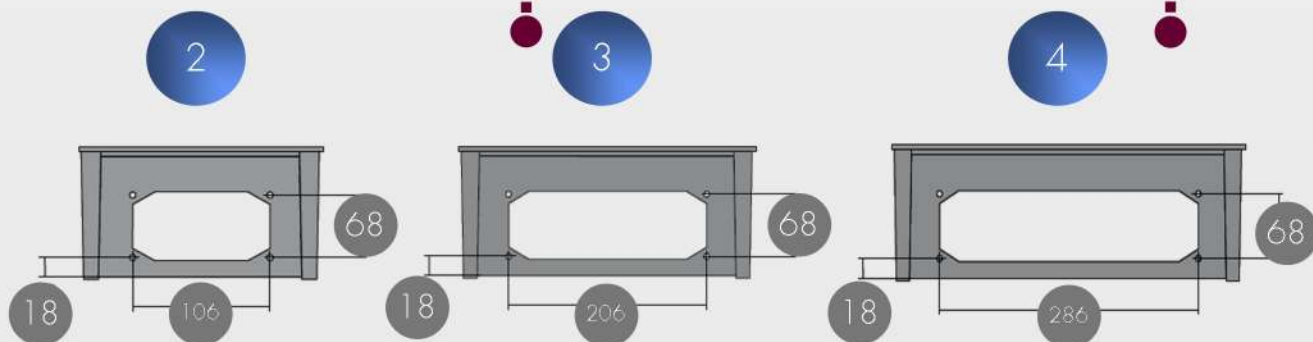
## cable-box + grommet

Cable boxes including gasket and screws

CODE	DESCRIPTION	EUROS	KGS
CC-03-cj	Blind cable enclosure open3	19,11	0,60
CC-04-cj	Blind cable enclosure open4	21,74	0,82



### standard openings

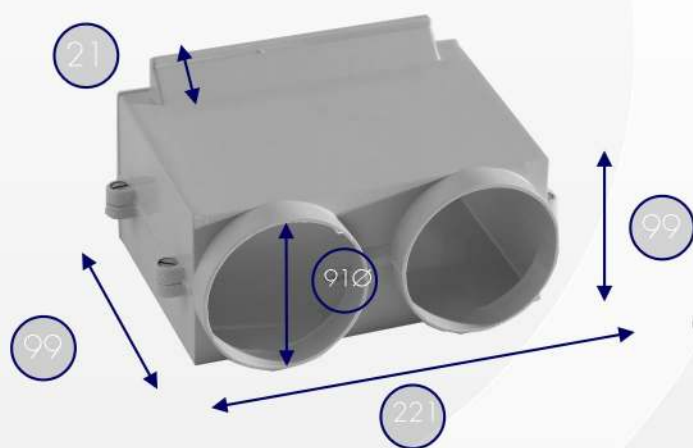




## cable-box + grommet

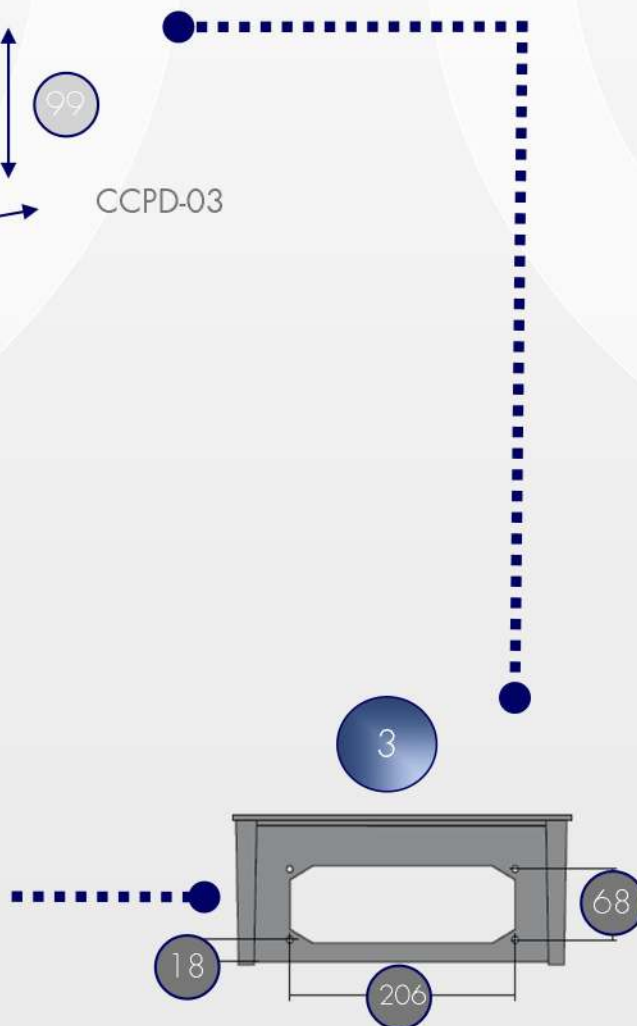
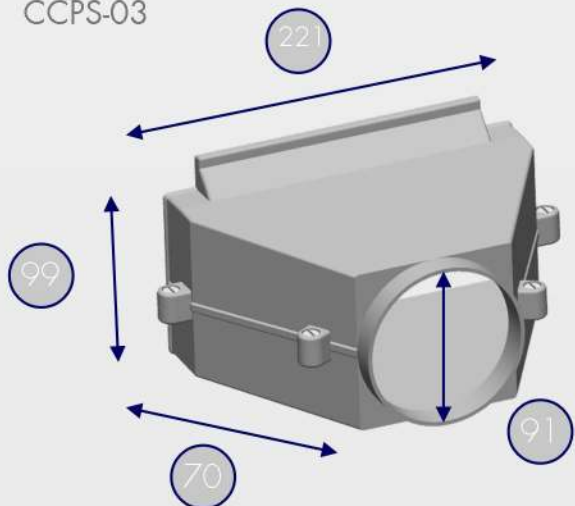
Cable boxes including gasket and screws

CODE	DESCRIPTION	EUROS	WEIGHT
CCPD-03	Double-Split cable enclosure	17,49	0,55
CCPS-03	Split cable enclosure	17,49	0,50



CCPD-03

CCPS-03

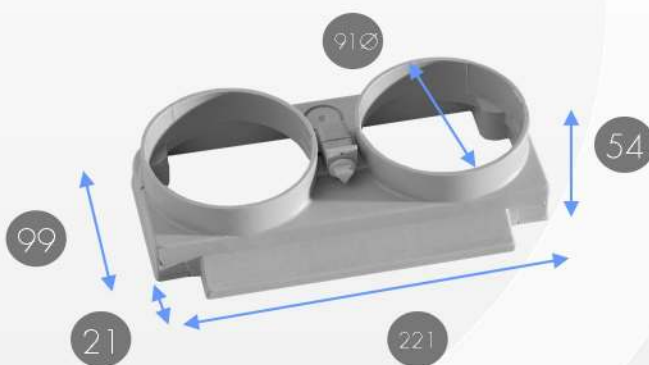




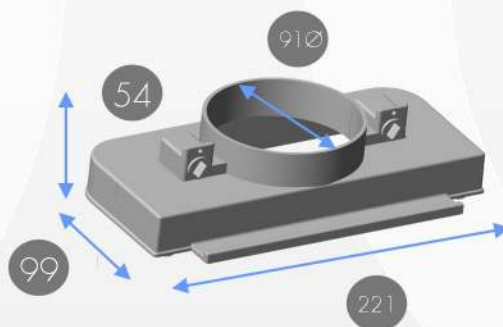
## cable-box + grommet

Cable boxes including gasket and screws

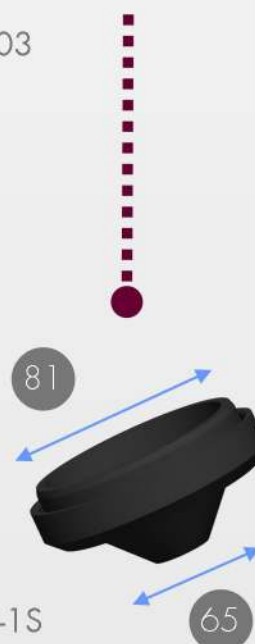
CODE	DESCRIPTION	EUROS	WEIGHT
BPD-03	Double-Split cable flange	11,46	0,29
BPS-03	Split cable flange	10,50	0,32
DON-1S	Rubber grommet 65mm open	5,28	0,11



BPD-03



BPS-03

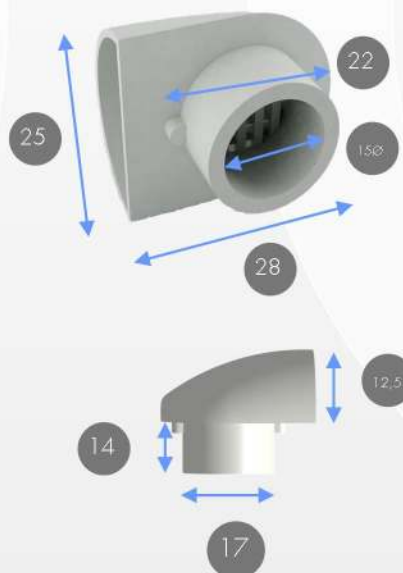
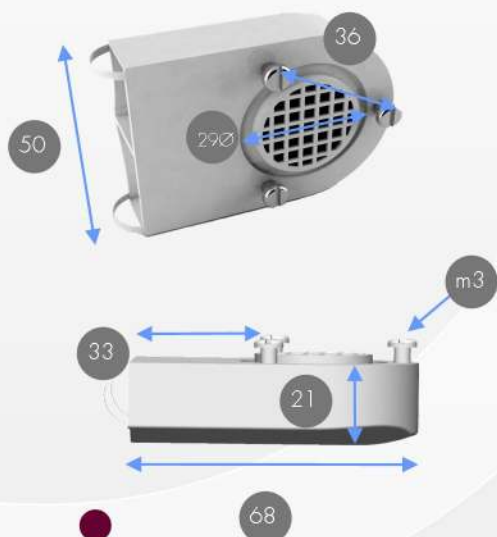


DON-1S  
max tube 91Ø

## ventilation devices

Gasket included, screws included. Standard openings under demand

CODE	DESCRIPTION	EUROS	KGS
DV-M	Ventilation device mini	0,88	0,01
DV-G	Ventilation device big	3,09	0,03



## inspection UV windows

Cover springless flat and high polycarbonate UV stabilized

CODE	DESCRIPTION	EUROS	KGS
TR-4	Frame with lid 4mcb	11,15	0,05
TR-4a	Frame with hinged lid 4 mcb	11,54	0,07
TR-6	Frame with lid 6 mcb	12,69	0,08
TR-6a	Frame with hinged lid 6 mcb	14,02	0,09
TR-8	Frame with lid 8 mcb	13,21	0,10
TR-8a	Frame with hinged lid 8 mcb	14,74	0,11
TR-10	Frame with lid 10 mcb	15,98	0,12
TR-10a	Frame with hinged lid 10 mcb	17,92	0,13
TR-12	Frame with lid 12 mcb	17,45	0,14
TR-12a	Frame with hinged lid 12 mcb	20,23	0,15
TR-20	Frame with lid 20 mcb	21,07	0,18
TR-24	Frame with lid 24 mcb	22,77	0,22



Inspection window tr-4

## polycarbonate screws

Screws for CA range, Seasables, in polyamide or brass. TORQUE MAX 3.5

CODE	DESCRIPTION	EUROS	WEIGHT
TFT-4000	SCREWS (1) for CA-1515/CA-315	0,29	0,01
TFT-400	SCREWS (1) for CA-32/CA-86	0,32	0,01
TFT-400m	SCREWS (1) for CA-32/CA-86 manual	0,72	0,01
TTC-160	TRIANGLE 11 mm cordel screw CA-32-86	1,19	0,01
BO-4+4	Screw set 4 tft-400+ 4 M-6x10	1,83	0,06
BO-6+4	Screw set 6 tft-400 + 4 M-6x10	2,47	0,08
Tt-11-b	Screw (1) for CA-32/CA-86 brass	2,46	0,08



TTC-06 +nut



Tt-11-brass



For triangle  
key 11 mm



For 16mm  
holes

Tft-400    tft-400m

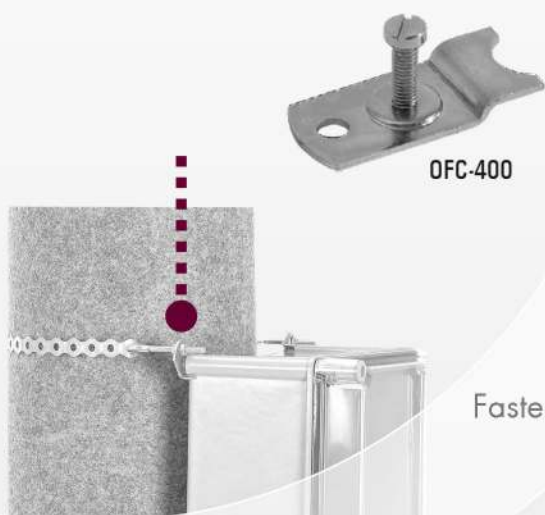




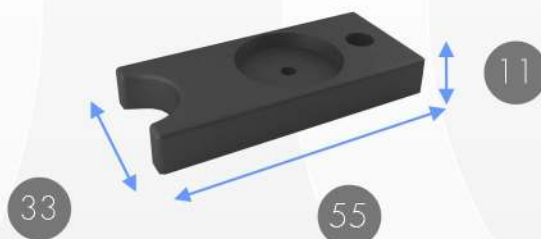
## fastening lugs

Polyamide 6.6 brackets, stands 200 kgs. Metal under demand

CODE	DESCRIPTION	EUROS	WEIGHT
OFC-4000	Fastening lug (4) for CA-1515/CA-315	3,00	0,01
Bo-OFC-400	Fastening lug (4) for CA-32/CA-86	4,00	0,05



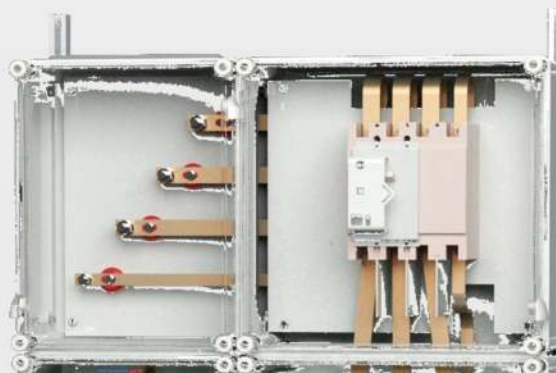
Fastening to a pole



Direct wall fastening



Fastening to a rail

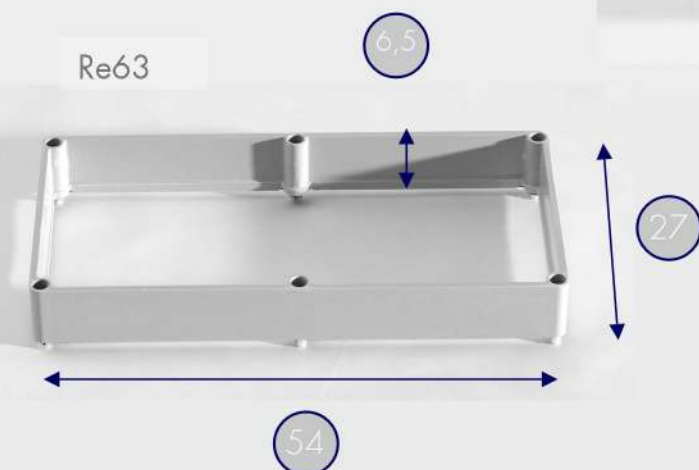
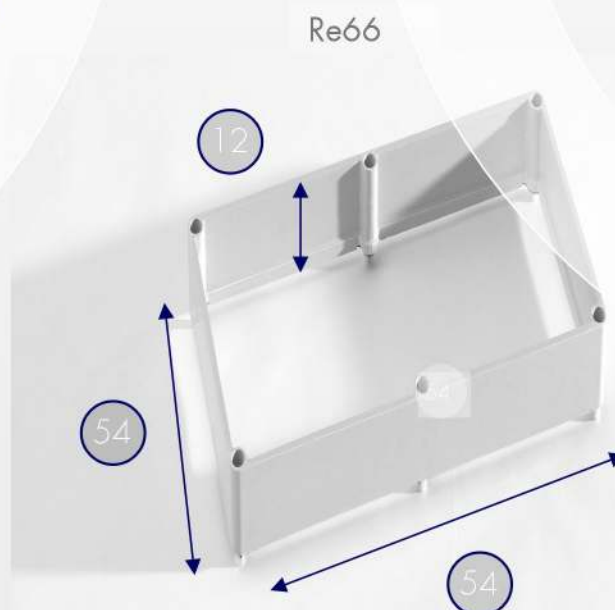
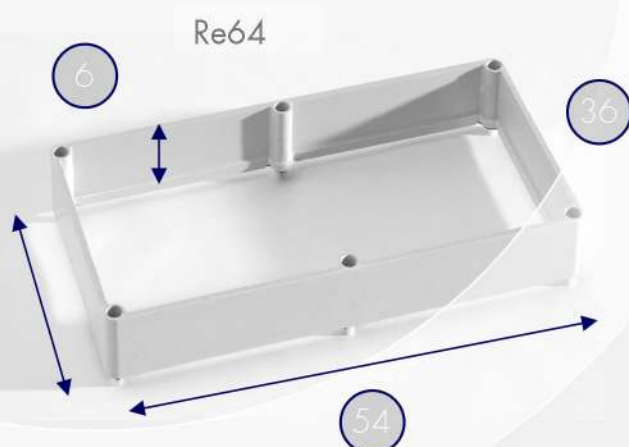




## thickening for CA

Include thickening + screws to growing up safybox CA

CODE	DESCRIPTION	EUROS	KGS
RE-63	Thickening for CA-63	87,93	1,43
RE-64	Thickening for CA-64	100,55	1,55
RE-66	Thickening for CA-66	164,08	3,94



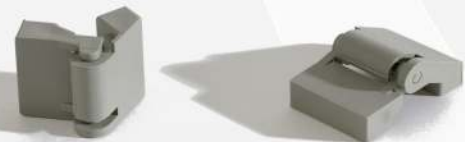
## how to install hinges

Hinges for CA made of polyamide, internal or external

CODE	DESCRIPTION	EUROS	KGS
bo-BRE-EXT	External rigid hinge (2)	10,82	0,04
bo-BFI-INT	Internal cordle hingle (2)	2,88	0,02
BRI-INT	Internal rigid hinge (1)	2,37	0,03
Bo-BFE	External flexible hinge (2)	2,71	0,02



CA-32 to  
CA-86a



Bo-BRE-ext : cut body + cover and screw



CA-1515  
to CA-315



Bo-bfe: cut body + cover and screw



CA-32 to  
CA-86a

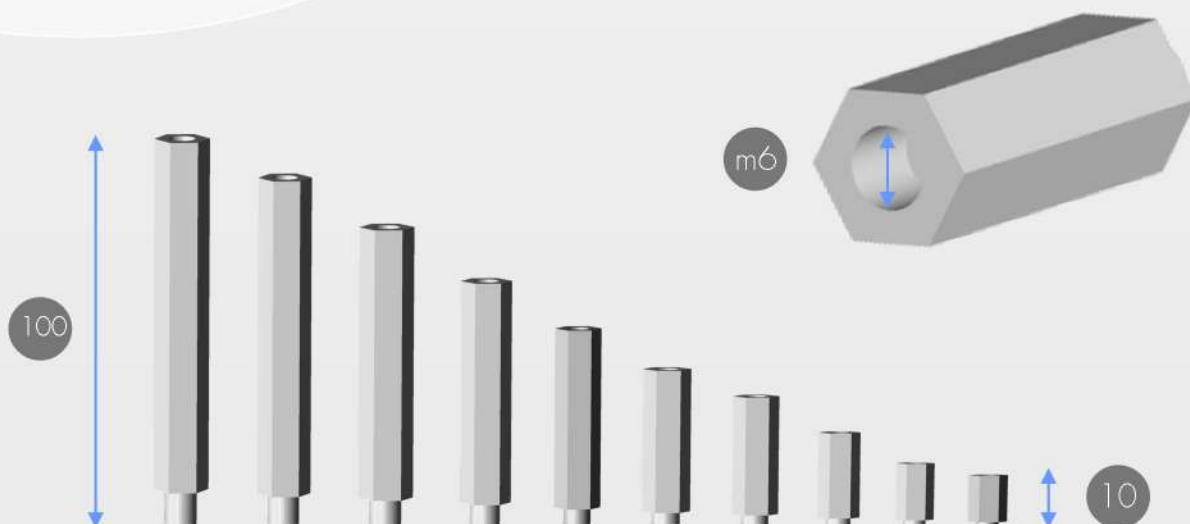


Bri-int: insert into body+drill cover M8 & use

## raisers cast iron

Raisers m6 to elevate safybox CA base plates, you can fix all dimensions

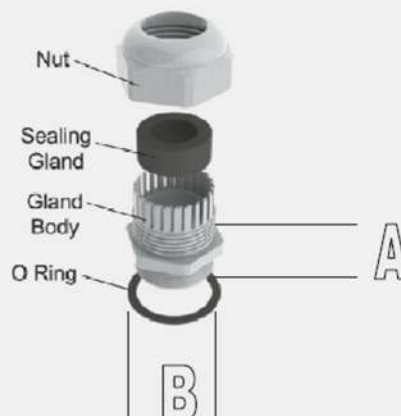
CODE	DESCRIPTION	EUROS	KGS
P10-m6	Raiser m6x10mm	0,43	0,1
P15-m6	Raiser m6x15mm	0,47	0,1
P20-m6	Raiser m6x20mm	0,54	0,1
P30-m6	Raiser m6x30mm	0,60	0,2
P40-m6	Raiser m6x40mm	0,68	0,2
P50-m6	Raiser m6x50mm	0,75	0,3
P60-m6	Raiser m6x60mm	0,81	0,3
P70-m6	Raiser m6x70mm	0,84	0,4
P80-m6	Raiser m6x80mm	0,97	0,4
P90-m6	Raiser m6x90mm	1,10	0,5
P100-m6	Raiser m6x100mm	1,18	0,5



## cable-glands

Polyamide IP-67 cable glands

CODE	MIN	MAX	DIM-A	DIM-B	EUROS
PG-7	2,5	6,5	9	12,5	0,144
PG-9	4,5	8	9	15,5	0,191
PG11	5	10	9	18,6	0,204
PG13.5	6	12	10	20,4	0,243
PG16	7	14	10	22,5	0,339
PG21	11	18	12	28,3	0,473
PG29	17	25	13	37	0,720
PG36	22	32	16	47	1,187
PG42	26	39	17	54	1,579
PG48	30	44	18	59,3	1,864





safety  
by  
designing

URIARTE SAFYBOX   
[www.safybox.com](http://www.safybox.com)

Uriarte Enclosures Group  
spain - poland - portugal - equatorial guinea - uk