



PERFORMANCE RANGE

- Max flow rate: **200 l/min** (12 m³/h)
- Working pressure: **10 bar**
- Restarting pressure: **1.5 bar** ●

APPLICATION LIMITS

- Maximum liquid temperature **+65 °C**
- Ambient temperature up to **+40 °C**
- Burst pressure **> 40 bar**
- Protection: **IP 65**
- VOLTAGE: **230 V** - Frequency: **50/60 Hz**
- Max current: – **10 A** EASYPRESS-1
– **16 A** EASYPRESS-2

CONSTRUCTION AND SAFETY STANDARDS

- The easy to replace, resin sealed circuit board offers complete protection from the effects of humidity and is housed in an IP 65 case.
- The EASYPRESS circuit board has passed the most stringent EMC tests for electromagnetic compatibility (low interference emission and high disturbance immunity), guaranteeing reliable operation in any environment.

CERTIFICATIONS

COMPANY WITH MANAGEMENT SYSTEM
CERTIFIED BY DNV
ISO 9001: QUALITY
ISO 14001: ENVIRONMENT AND SAFETY



INSTALLATION AND USE

The EASYPRESS series consists of electronic devices designed to start (when a tap is turned on) and stop (when a tap is turned off) single-phase pumps.

The **microprocessor protects** the pump from dangerous working conditions, such as dry running, and allows the pump to be restarted either automatically or manually. It also prevents the pump from starting-up too often when small leaks are present within an installation.

PATENTS - TRADE MARKS - MODELS

- Registered Community Design n° 868062
- Patent n° IT 1388969, IT 1388970
- EASYPRESS® registered trade mark n° 1334481

OPTIONALS AVAILABLE ON REQUEST

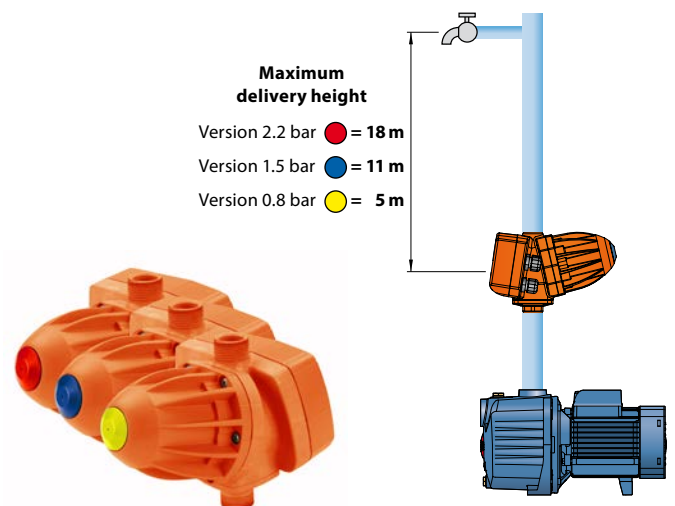
- Version with restating pressure **0.8 bar** ●
- Version with restating pressure **2.2 bar** ●
- Version with 1" NPT ports
- Version with cable and Schuko plug and socket
- Version with pressure gauge

GUARANTEE

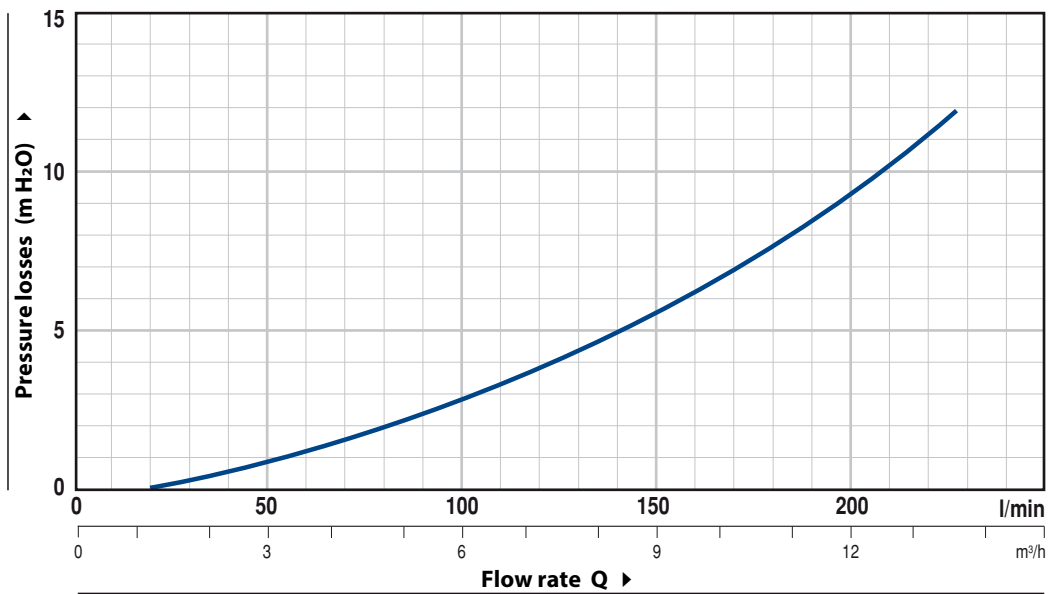
2 years subject to terms and conditions

START-UP PRESSURE

There are **three different models** available to choose from, **each with a different start-up pressure** and easily identified by the **coloured cap** positioned at the rear of EASYPRESS, suitable for delivering supply to different heights.



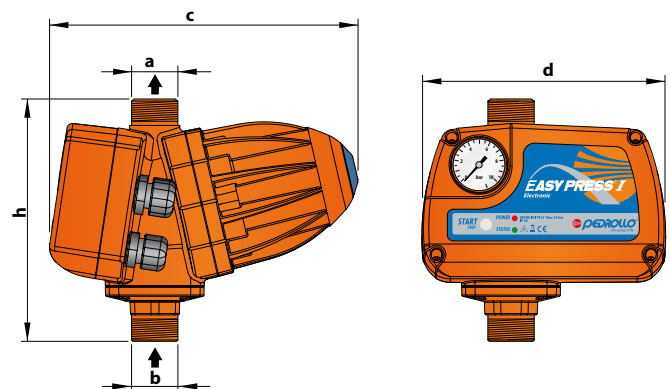
PRESSURE LOSSES



MODEL	Power		Volt	Hz	Current	Fittings	Flow rate	Restarting pressure
	kW	HP						
EASYPRESS-1	0.75	1	230	50/60	10 A	1" x 1"	12 m ³ /h	1.5 bar
EASYPRESS-2	1.5	2	230	50/60	16 A	1" x 1"	12 m ³ /h	1.5 bar

DIMENSIONS AND WEIGHT

MODEL	PORTS		DIMENSIONS mm			kg
	a	b	c	d	h	
EASYPRESS 1-2	1"	1"	221	174	174	1.63



Quick-fit joint with o-ring

MODEL	FITTING
GSR	1" M



PALLETIZATION

MODEL	n°	H (mm)	kg
Single-phase			
EASYPRESS 1-2	147	1450	257

