



PERFORMANCE RANGE

- Max flow rate: **200 l/min** (12 m³/h)
- Working pressure: **10 bar**
- Restarting pressure: **1.5 bar**

APPLICATION LIMITS

- Maximum liquid temperature **+50 °C**
- Ambient temperature up to **+40 °C**
- Burst pressure **40 bar**
- Protection grade: **IP 65**
- Voltage: **230 V** - Frequency: **50/60 Hz**
- Max current: – **12 A**-EASYSMALL-1
– **16 A**-EASYSMALL-2

CONSTRUCTION AND SAFETY STANDARDS

- The easy to replace, tropicalized sealed circuit board offers complete protection from the effects of humidity and is housed in an IP 65 case.
- The EASYSMALL circuit board has passed the most stringent EMC tests for electromagnetic compatibility (low interference emission and high disturbance immunity), guaranteeing reliable operation in any environment.

CERTIFICATIONS

COMPANY WITH MANAGEMENT SYSTEM
CERTIFIED BY DNV
ISO 9001: QUALITY
ISO 14001: ENVIRONMENT AND SAFETY



INSTALLATION AND USE

Flow & pressure sensing device for control and protection of single-phase pumps up to 2 HP (for domestic applications). It starts the pump when there is a drop in system pressure (e.g. a tap opening) and stops the pump when the flow drops below 2 l/min (tap closed)..

PATENTS - TRADE MARKS - MODELS

- Registered Community Design n° 001774928
- EASYSMALL® registered trade mark n° 1511131

OPTIONALS AVAILABLE ON REQUEST

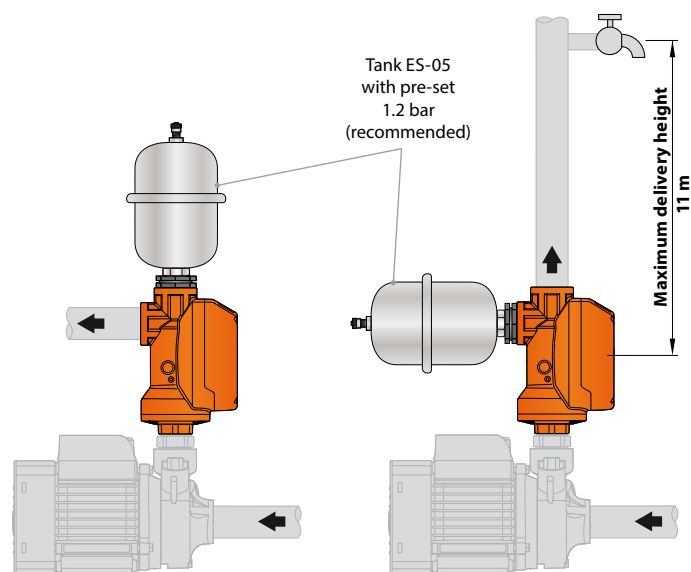
- Version with pressure gauge

GUARANTEE

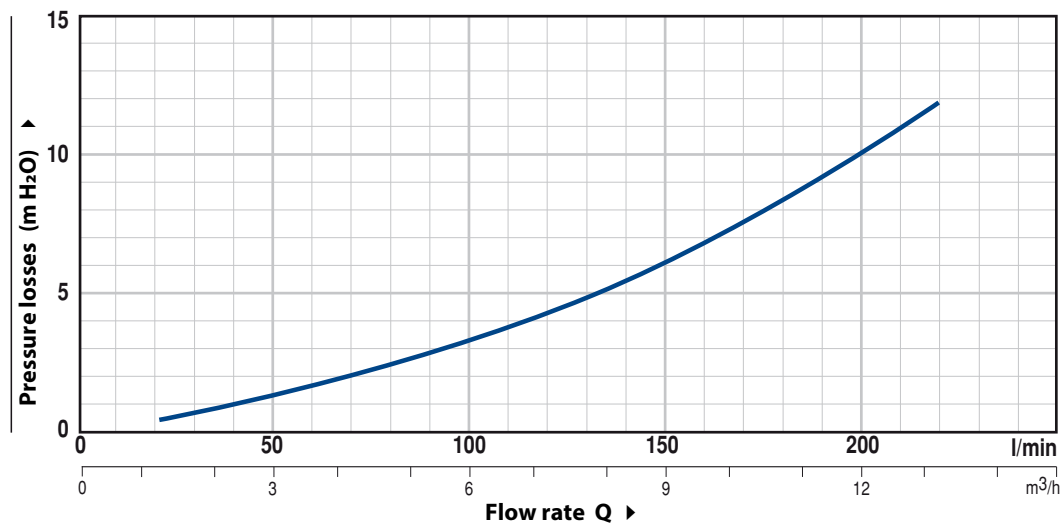
2 years subject to terms and conditions

INSTALLATION EXAMPLES

To avoid repeated starts and to save energy, we recommend that EASYSMALL is installed with a small pressure vessel (ES-05).

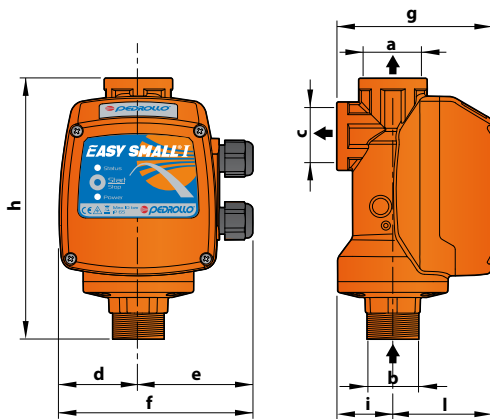


PRESSURE LOSSES



MODEL	Power		Volt	Hz	Current	Fittings	Flow rate	Restarting pressure
	kW	HP						
EASYSMALL-1	0.75	1	230	50/60	12 A	1" x 1"	12 m ³ /h	1.5 bar
EASYSMALL-2	1.5	2	230	50/60	16 A	1" x 1"	12 m ³ /h	1.5 bar

DIMENSIONS AND WEIGHT



MODEL	PORTS			DIMENSIONS mm							kg
	a	b	c	d	e	f	g	h	i	l	
EASYSMALL 1-2	1"	1"	1"	56	74	130	100	170	36	64	0.7

ACCESSORIES

- ES-05: Stainless steel vessel of 0.5 l capacity. 1" BSP male thread.
- GSR: 3 piece male unions for quick connection of pump/EASY SMALL.



ES-05

GSR

PALLETIZATION

MODEL			
Single-phase	n°	H (mm)	kg
EASYSMALL 1-2	324	1230	247

