

EN  
**NEW**

# **TOP MULTI-TECH**

**AUTOMATIC  
START & STOP**



 **PEDROLLO**<sup>®</sup>  
the spring of life

## PERFORMANCE RANGE

- Flow rate up to **120 l/min** (7.2 m<sup>3</sup>/h)
- Head up to **42 m**
- Restart pressure at **1.5 bar**

## APPLICATION LIMITS

- **5 m** maximum immersion depth
- Maximum height between pump and tap **10 m**
- Maximum liquid temperature **+40 °C**
- Passage of suspended solids up to **Ø 1.3 mm**
- Suction down to **22 mm** above ground level
- Continuous service **S1**

## CONSTRUCTION AND SAFETY STANDARDS

Complete with:

- **10 m** long power cable
- Built-in electronic device to start (at tap opening) and to close (at stopping tap) the pump

EN 60335-1  
IEC 60335-1  
CEI 61-150

EN 60034-1  
IEC 60034-1  
CEI 2-3



## INSTALLATION AND USE

Suitable for use with **clean water** and liquids that are not chemically aggressive towards the materials from which the pump is made.

As a result of their high efficiency and reliability they are suitable for use in applications such as domestic water supply from reservoirs, tanks or relatively deep wells, for drawing rain water from cisterns to water gardens or for use in irrigation systems, etc.

## PATENTS - TRADE MARKS - MODELS

- Patent Pending n° VR2014A000217
- Registered model n° 0001334477 TOP MULTI®

## CERTIFICATIONS

Company with management system certified by DNV  
ISO 9001: QUALITY  
ISO 14001: ENVIRONMENT AND SAFETY

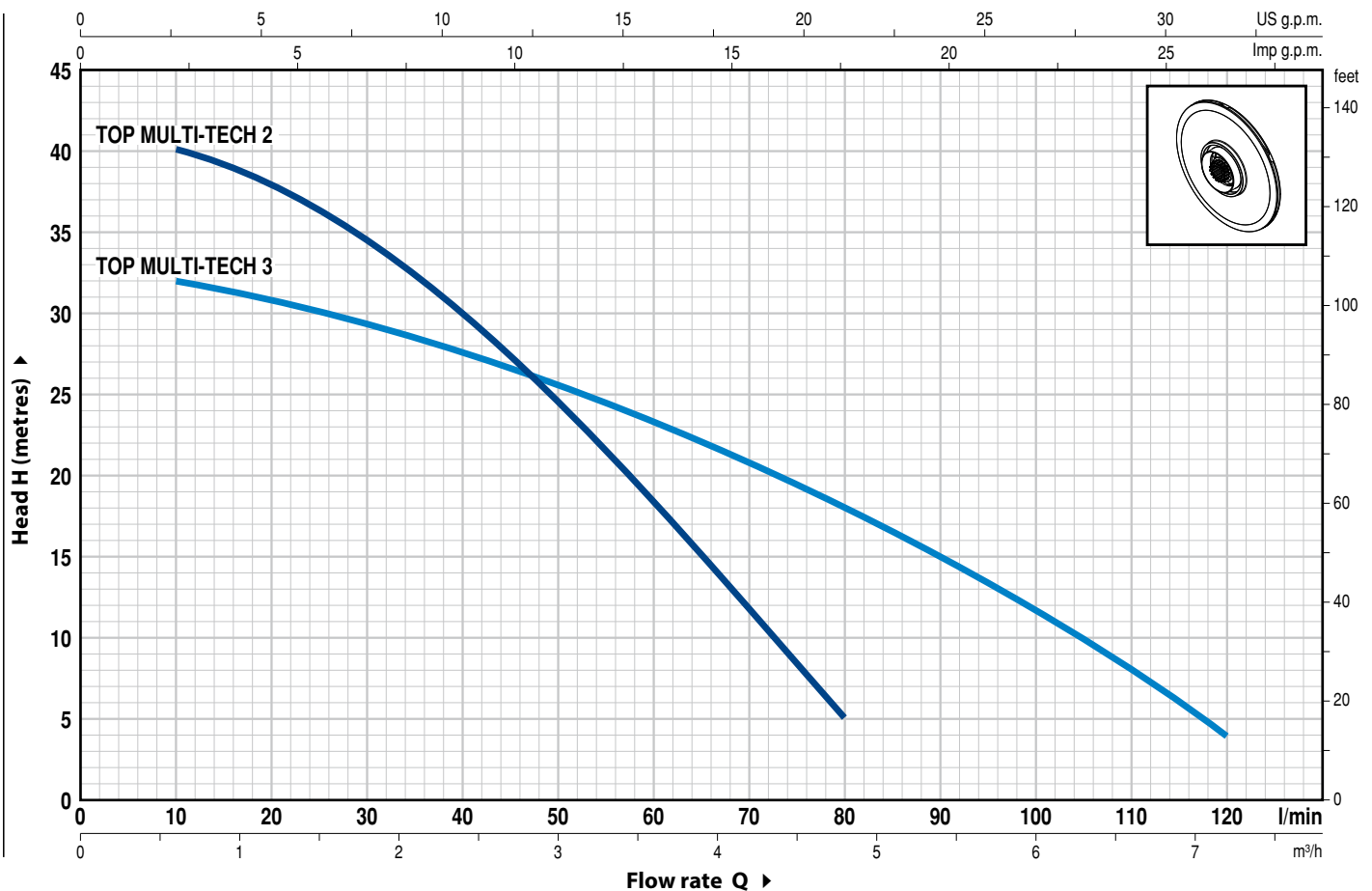


## GUARANTEE

2 years subject to terms and conditions

## CHARACTERISTIC CURVES AND PERFORMANCE DATA

50 Hz n = 2900 1/min



MODEL	POWER		Q	Flow rate															
	kW	HP		0	0.6	1.2	1.8	2.4	3.0	3.6	4.2	4.8	5.4	6.0	6.6	7.2			
Single-phase				0	10	20	30	40	50	60	70	80	90	100	110	120			
<b>TOP MULTI-TECH 2</b>	0.55	0.75	H metres	42	40	38	34	30	24	18	11.5	5							
<b>TOP MULTI-TECH 3</b>	0.55	0.75	H metres	33	32	31	29.5	28	25.5	23	20.5	18	15	12	8	4			

Q = Flow rate H = Total manometric head

Tolerance of characteristic curves in compliance with EN ISO 9906 Grade 3.

**POS. COMPONENT CONSTRUCTION CHARACTERISTICS**

<b>1 DELIVERY BODY</b>	Glass fibre reinforced technopolymer, complete with threaded delivery port in compliance with ISO 228/1
<b>2 PUMP BODY AND SUCTION FILTER</b>	Glass fibre reinforced technopolymer
<b>3 MOTOR SLEEVE</b>	Stainless steel AISI 304
<b>4 IMPELLERS</b>	Noryl FE1520PW
<b>5 DIFFUSERS</b>	Noryl FE1520PW complete with anti-wear rings
<b>6 MOTOR SHAFT</b>	Stainless steel EN 10088-3 - 1.4104
<b>7 ELECTRONIC DEVICE</b>	The TOP MULTI-TECH are equipped with a built-in electronic device which starts the pump due to the drop of pressure in the system below 1.5bar (e.g. when a tap is turned on) and stops the pump when the flow drops below 3 liters per minute.  Protects the pump against: – dry running; – starts-up too often; – seizure: after long periods of pump inactivity, the electronic device starts the electric pump every 48 hours for the duration of 10 seconds.

**8 TWO MECHANICAL SEALS SEPARATED BY AN OIL CHAMBER**

Seal Model	Shaft Diameter	Position	Materials		
			Stationary ring	Rotational ring	Elastomer
STA-13R	Ø 13 mm	Motor side	Ceramic	Graphite	NBR
STA-12R SIC	Ø 12 mm	Pump side	Ceramic	Silicon carbide	NBR

**9 BEARINGS 6202 ZZ - C3 / 6201 ZZ**

**10 CAPACITOR**

**Capacitance**

(230 V or 240 V)	(110 V)
12.5 µF 450 VL	30 µF 250 VL

**11 ELECTRIC MOTOR**

**TOP MULTI:** single-phase 230 V - 50 Hz with built-in overload protector.

- Insulation: F class.
- Protection: IP X8.

**12 POWER CABLE**

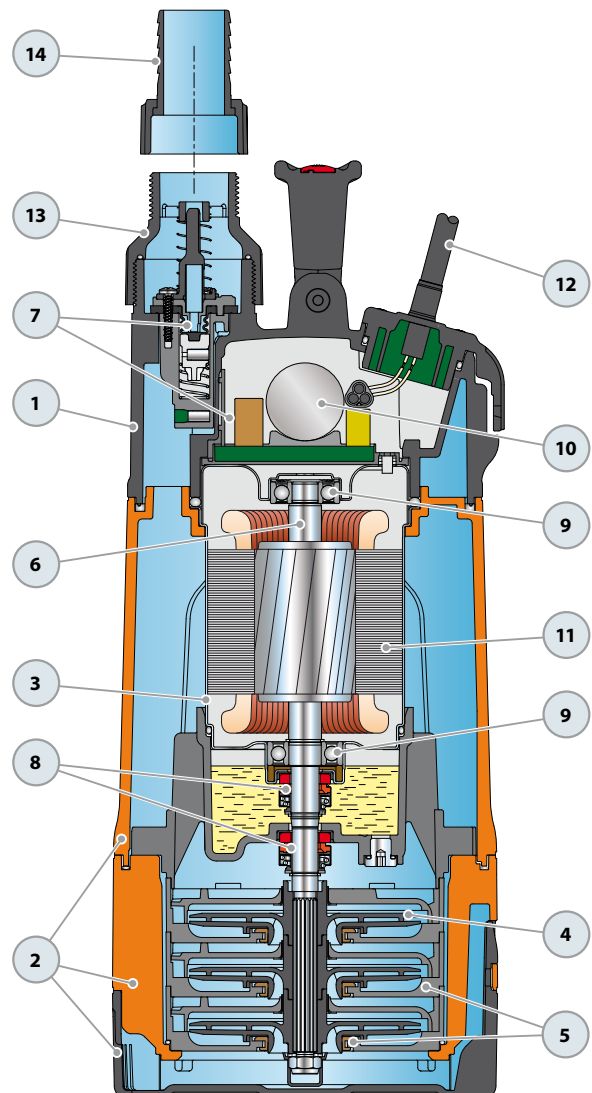
⇒ 10 metre long "H07 RN-F" cable with Schuko plug

**13 NIPPLE**

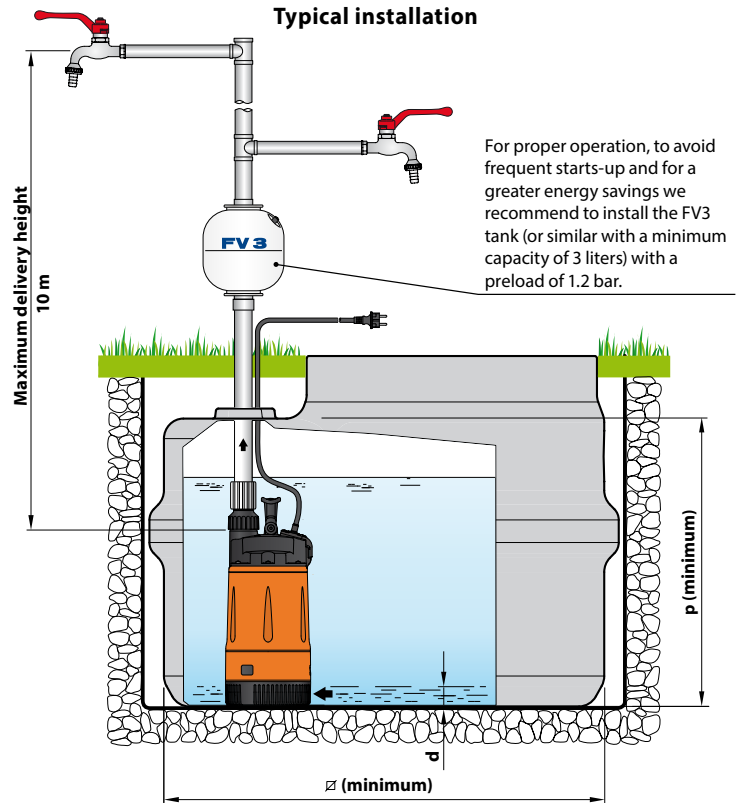
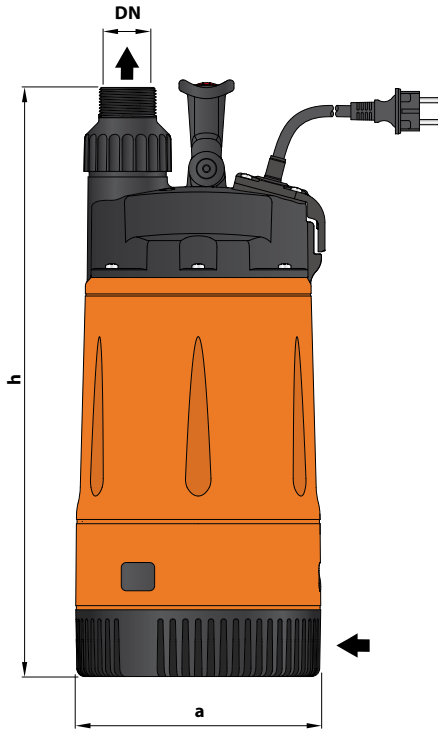
Nipple 1¼"

**14 HOSE CONNECTOR WITH UNION**

Ø 35 mm hose connection



## DIMENSIONS AND WEIGHT



MODEL	PORT	N° STAGES	DIMENSIONS mm					kg
			a	h	d	p	Ø	
Single-phase	DN							
TOP MULTI-TECH 2	1 1/4"	3	178	428	22	500	300	9.4
TOP MULTI-TECH 3								

## ABSORPTION

MODEL	VOLTAGE (single-phase)		
	230 V	240 V	110 V
Single-phase			
TOP MULTI-TECH 2	3.4 A	3.3 A	6.8 A
TOP MULTI-TECH 3	3.6 A	3.5 A	7.2 A

## PALLETIZATION

MODEL	n° pumps	H (mm)	kg
Single-phase			
TOP MULTI-TECH 2	60	1420	582
TOP MULTI-TECH 3	60	1420	582

